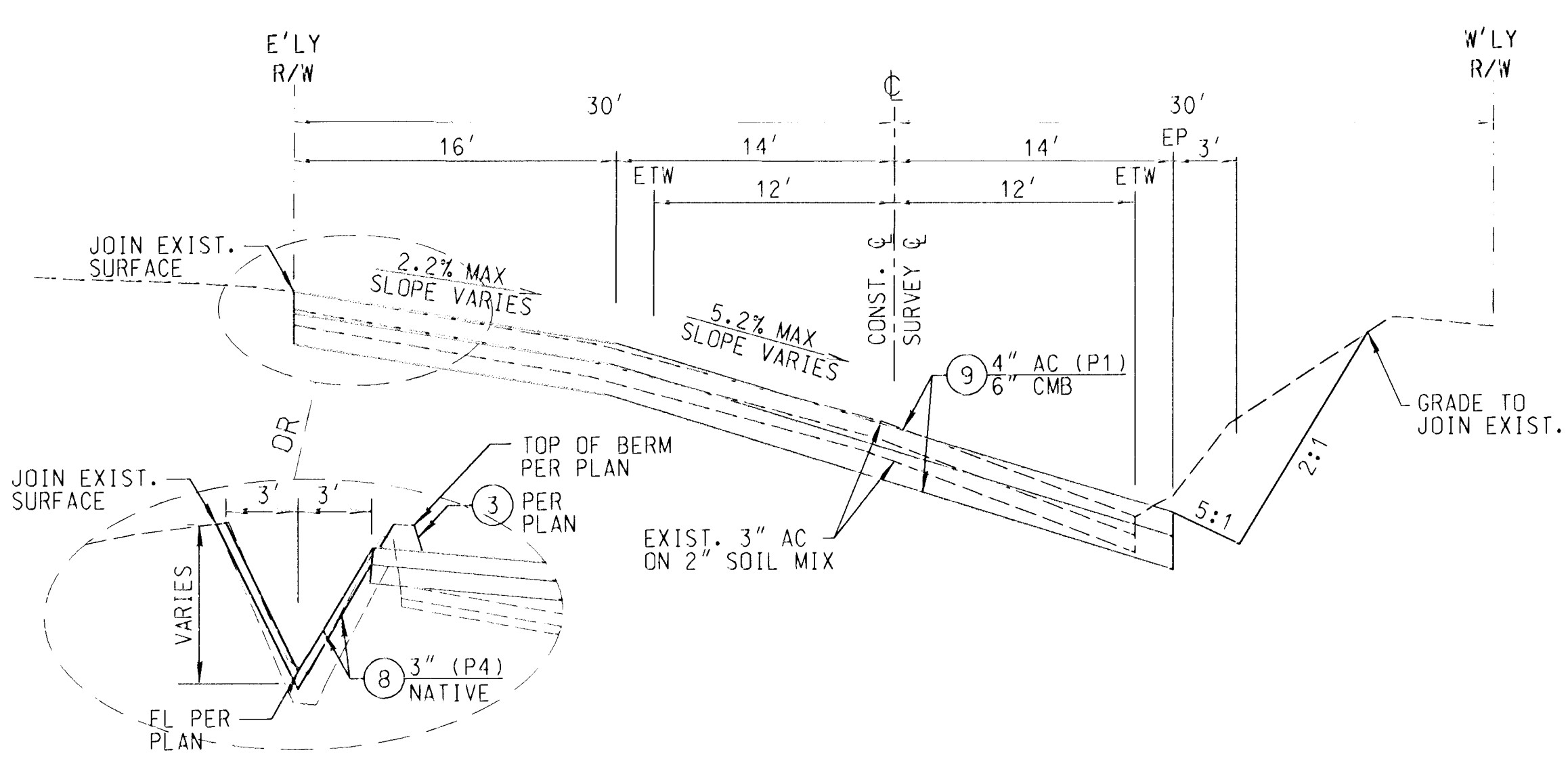
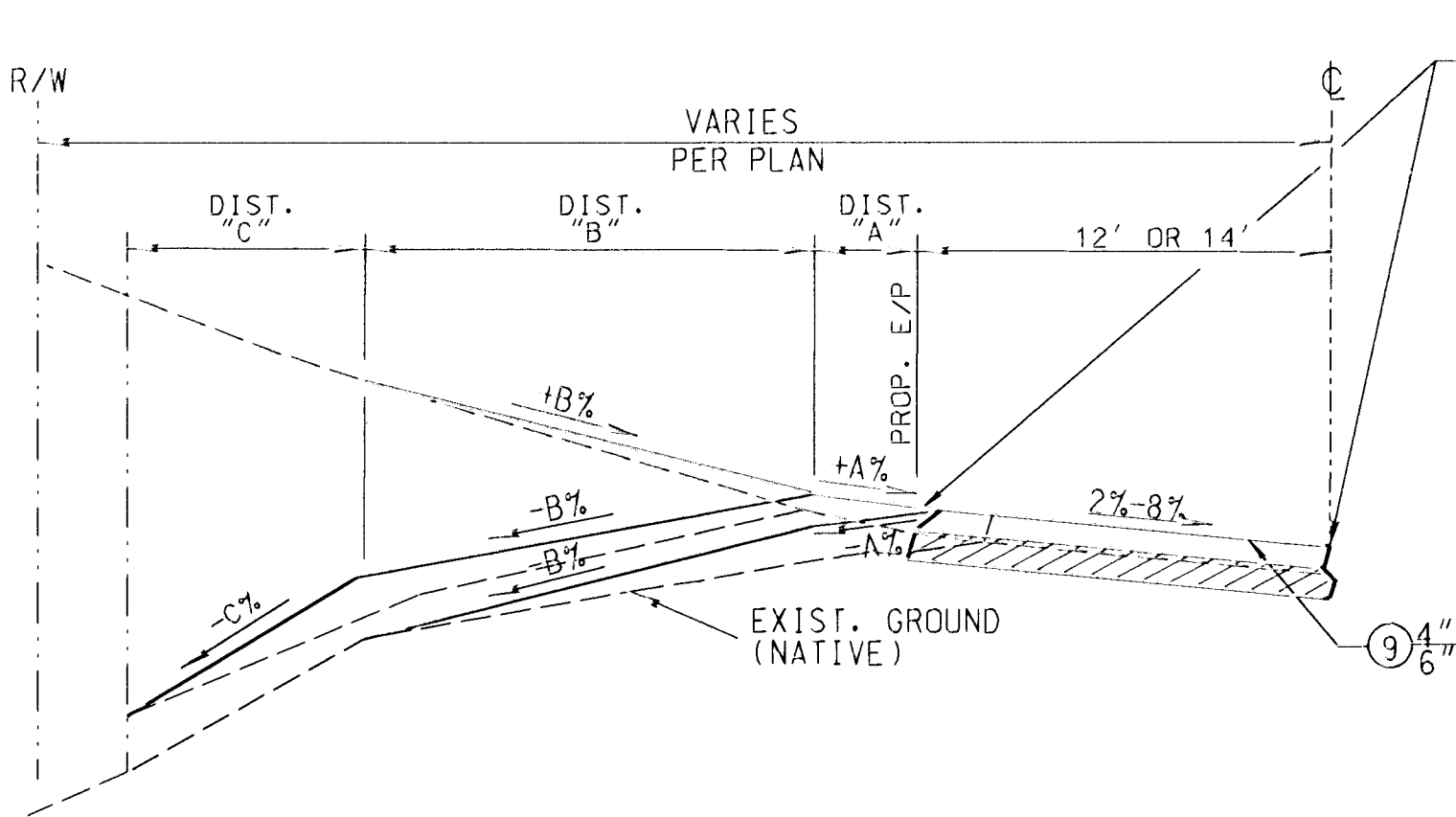


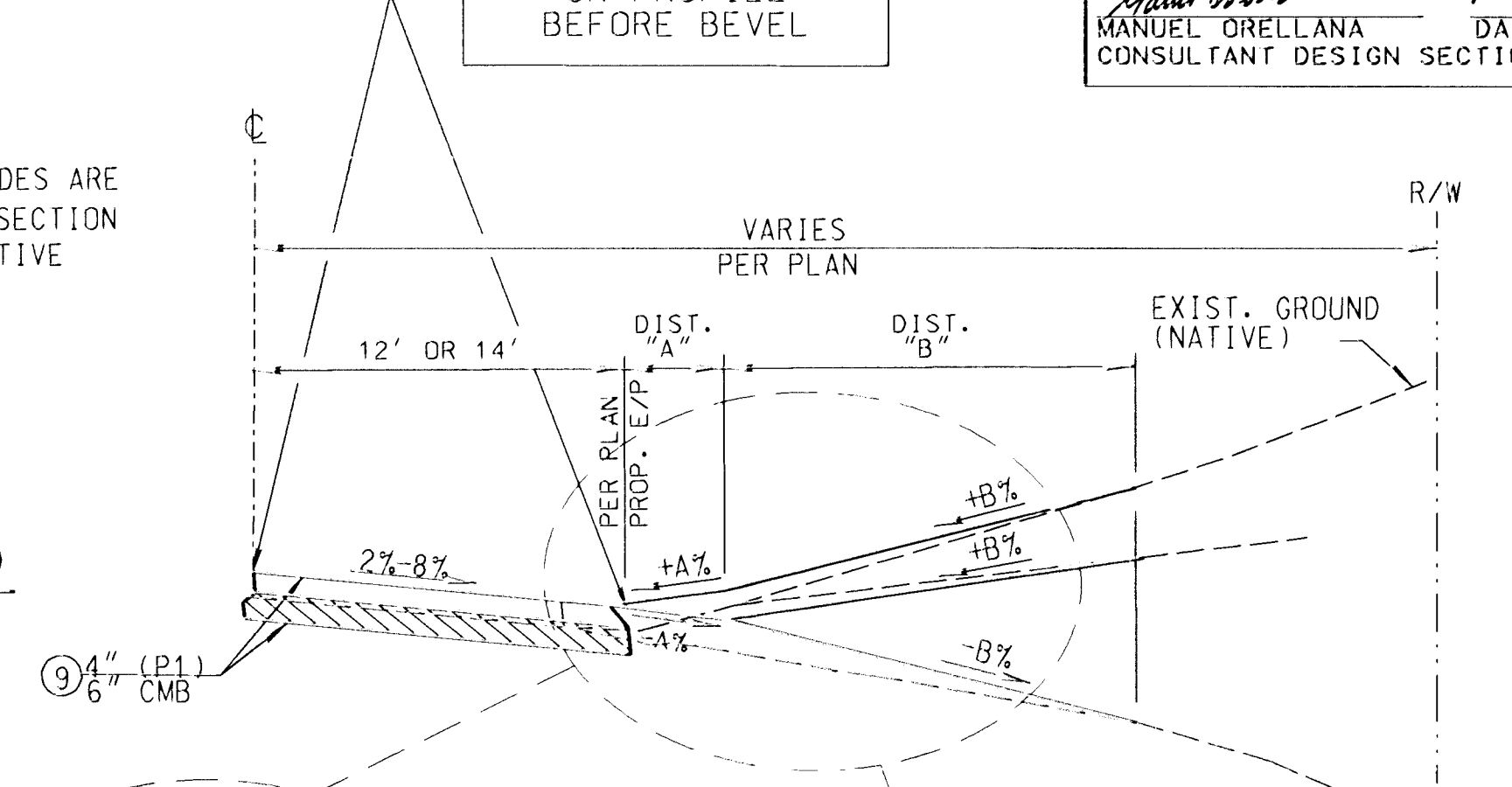
REVIEWED BY:
Manuel Drellana
 MANUEL DRELLANA DATE 7-24-03
 CONSULTANT DESIGN SECTION



OAKS CAMP INTERSECTION
 N.T.S.
 (STA 480+00 TO 483+00)

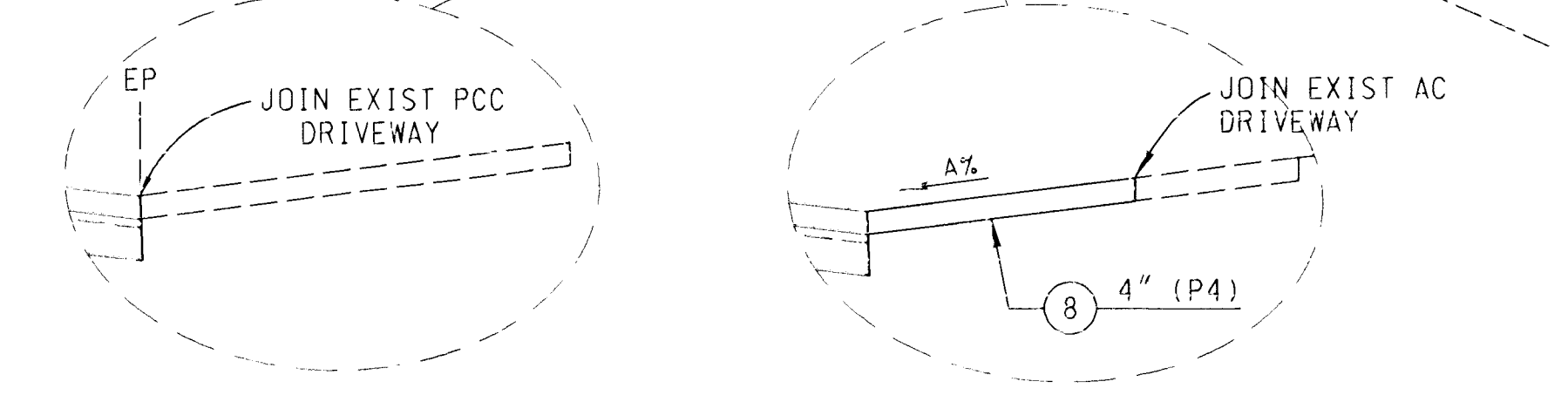


NOTE: ALL DISTANCES AND GRADES ARE PER TYPICAL DRIVEWAY SECTION DATA TABLES. JOIN NATIVE MATERIAL PER PLAN.
 OR
DRIVEWAY SECTION D-D
 N.T.S.

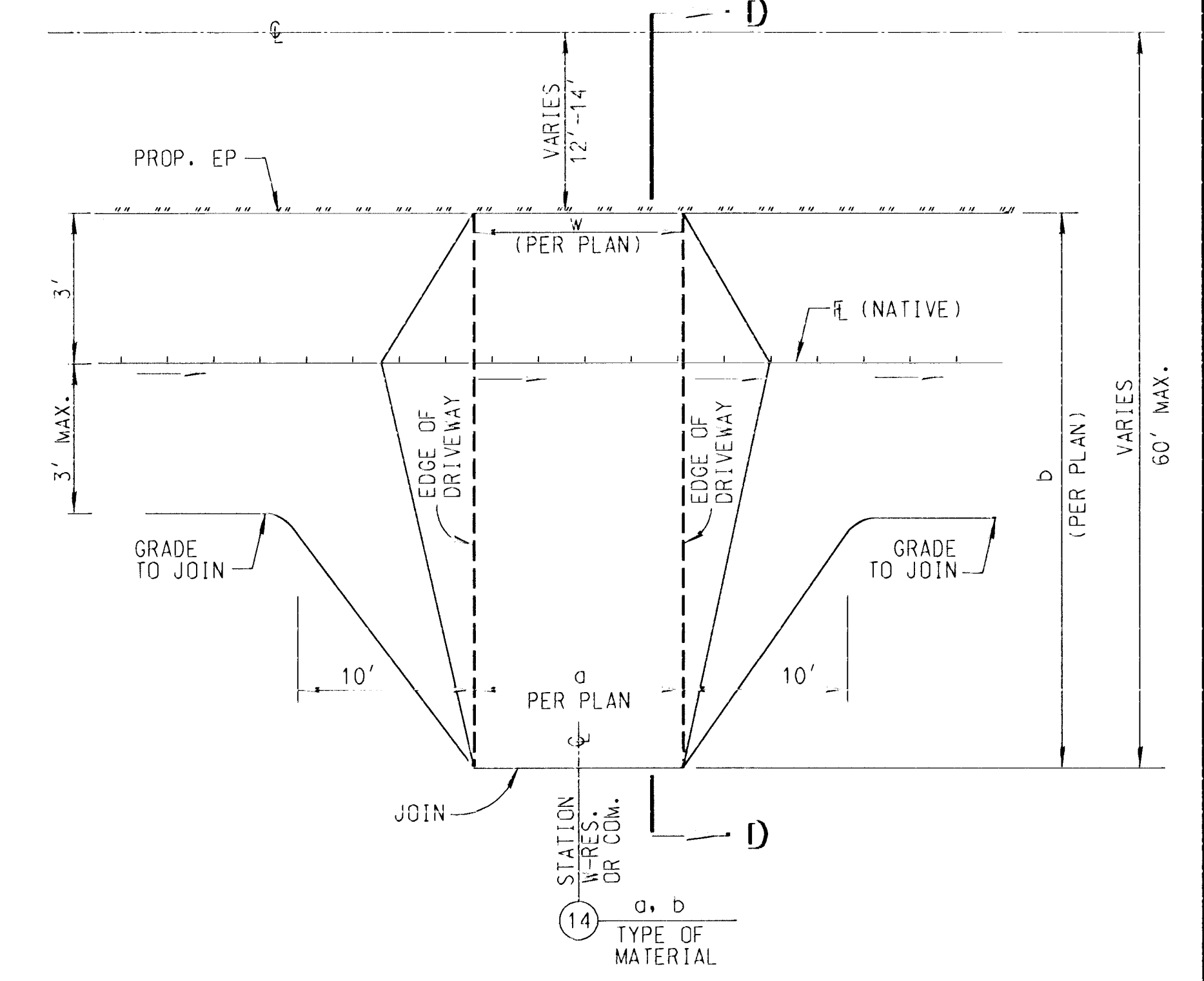


TYPICAL DRIVEWAY SECTION DATA										
DRIVEWAY STATION	SIDE	PLAN SHEET NO.	DRIVEWAY WIDTH (X, Q) (FT)	ROADWAY GRADE %	SLOPE A %	DISTANCE A (FT)	SLOPE B %	DISTANCE B (FT)	SLOPE C %	DISTANCE C (FT)
21+54	R	7	60.32	6.0	2.0	3	-5.0	3	-10.0	18
67+05	R	11	20	-2.0	-5.0	3	-7.0	9	-	-
109+20	R	15	22.15	-2.0	-5.0	3	5.0	4	-	-
132+50	R	17	40.23	8.0	5.0	13	-	-	-	-
150+20	R	19	12	-2.0	-5.0	3	-	-	-	-
154+87	L	19	30.12	-2.0	5.0	3	8.0	13	-	-
171+68	R	21	52.30	0.3	-5.0	3	-6.0	12	-	-
179+22	R	22	12	0.9	-5.0	3	-7.0	4	-	-
199+20	R	24	20	-3.0	-5.0	3	-5.0	13	-	-
211+75	L	25	50	-2.0	-5.0	3	5.0	4	-	-
278+47	R	31	12.8	-2.0	-5.0	3	-10.0	11	-	-
309+93	R	34	45.37	-2.0	5.0	3	7.0	5	-	-
330+70	L	36	25.21	4.0	-5.0	3	-15.0	12	-	-
447+08	R	47	40.24	-3.5	-5.0	30	-	-	-	-
463+11	L	48	22.12	-2.0	-5.0	3	5.0	11	-	-
501+35	L	52	20	-2.0	-5.0	10	-	-	-	-
505+69	L	52	50.40	6.7	5.0	3	10.0	22	-	-

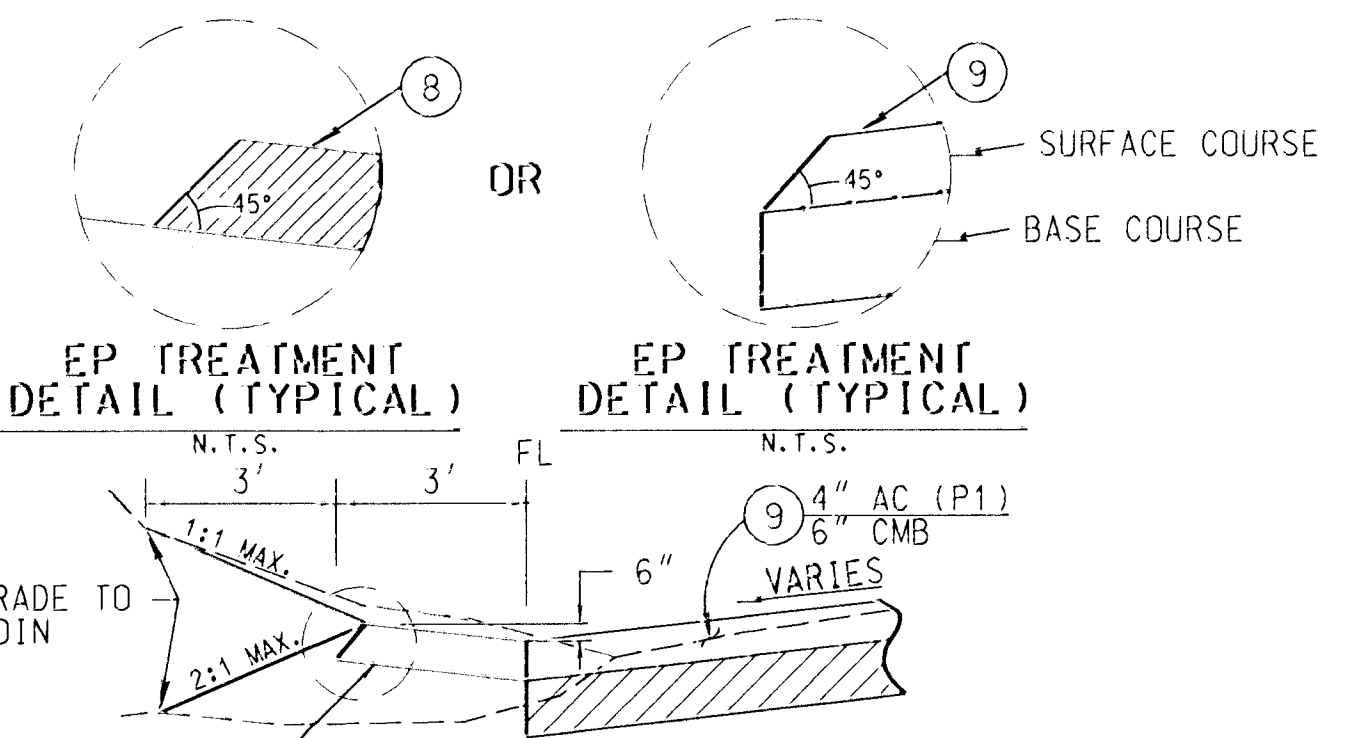
NOTE: ADDITIONAL DRIVEWAY DATA LOCATED ON RESPECTIVE PLAN SHEETS



NOTE: WHERE NECESSARY, PROTECT IN PLACE EXISTING FENCE, GATE AND STRUCTURES.

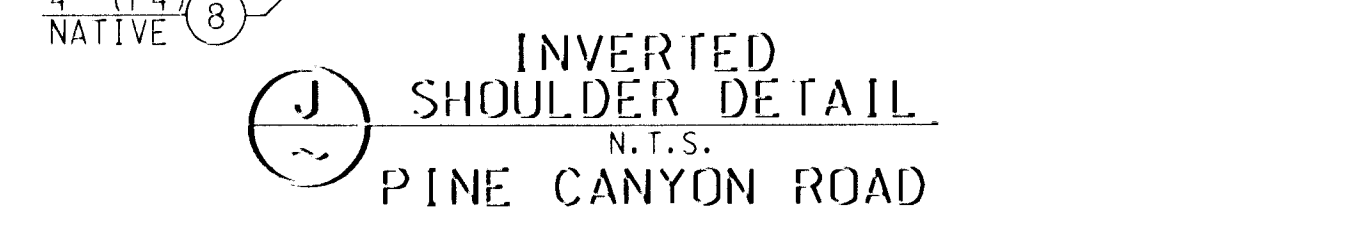


PINE CANYON ROAD
 N.T.S.
TYPICAL DRIVEWAY DETAIL



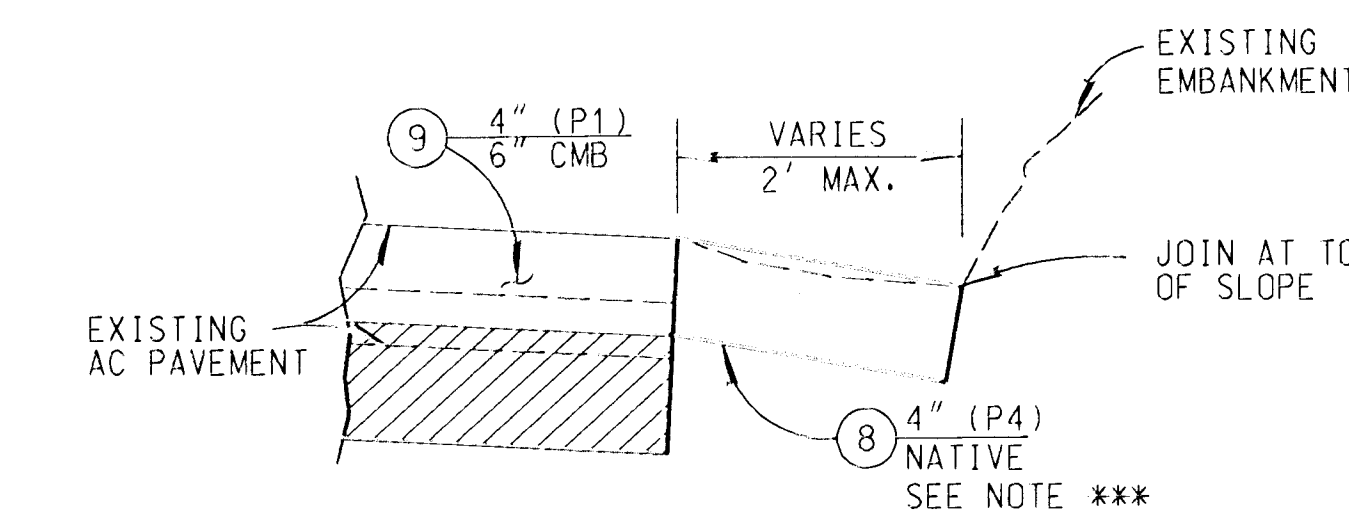
INVERTED SHOULDER TABLE

BEGINNING STATION	ENDING STATION	SIDE
102+20	123+50	LT
129+50	136+50	LT
314+00	319+40	LT
349+60	353+30	LT
433+00	438+00	LT
483+00	498+76	LT
116+70	129+75	RT
172+50	176+00	RT
372+00	380+50	RT
404+00	414+00	RT
429+00	439+00	RT
511+60	516+33	RT



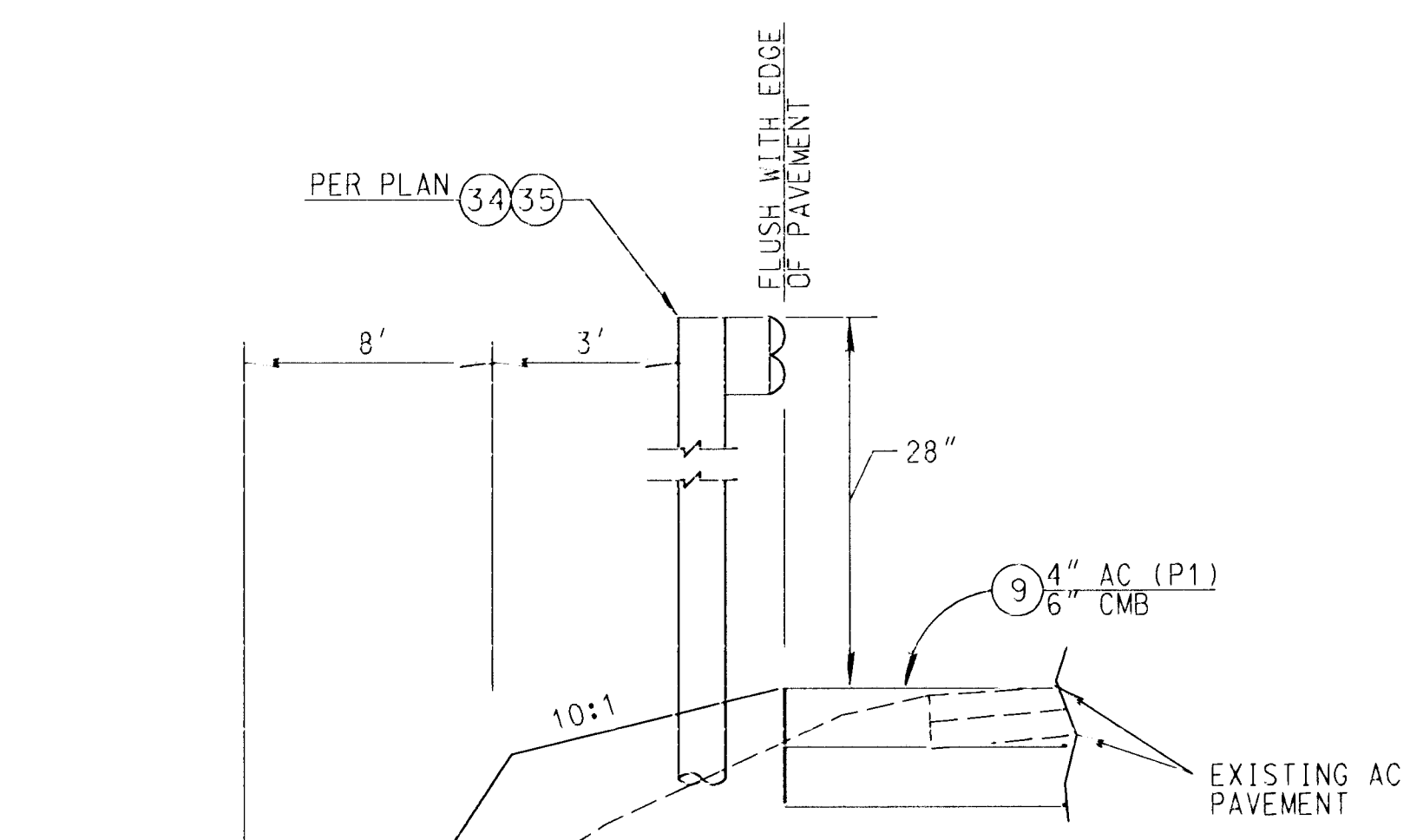
SHOULDER TREATMENT TABLE

BEGINNING STATION	ENDING STATION	SIDE
20+00	26+50	LT
70+00	76+00	LT
80+50	81+90	LT
92+00	93+70	LT
99+00	101+20	LT
136+50	140+50	LT
141+64	142+95	RT
181+50	184+00	LT
219+00	224+00	LT
219+00	231+50	RT
256+82	267+00	RT
263+00	267+00	LT
301+20	302+50	LT
335+15	337+10	RT
340+50	343+00	RT
421+00	433+00	LT
499+30	501+10	LT
506+00	512+00	LT



SHOULDER TREATMENT
 N.T.S.
PINE CANYON ROAD

*** EXACT LOCATION TO BE DETERMINED IN THE FIELD BY ENGINEER



METAL BEAM GUARDRAIL
 N.T.S.
PINE CANYON ROAD
 (STA 179+50 TO 186+50)
 (STA 215+50 TO 219+00)
 (STA 224+00 TO 233+90)
 (STA 248+00 TO 262+60)
 (STA 298+70 TO 306+60)
 (STA 129+87 TO 132+25)

CADD PROJECT FILE NAME: RDC0014131.HYD.SHEET04.DGN
 CHECKER: JKR
 DESIGNER: CXCO/JGRH
 DRAFTER: AAP/NMST

 DAVID EVANS AND ASSOCIATES INC. 800 North Haven Avenue, Suite 300 Ontario California 91764 Phone: 909.481.5750	TWO DAYS BEFORE YOU DIG CALL USA TOLL FREE 1-800-227-2600	REVISIONS DATE MK DESCRIPTION	 JEFFREY K. RUPP 42868 3/31/2004 CIVIL STATE OF CALIFORNIA	COUNTY OF LOS ANGELES DEPARTMENT OF PUBLIC WORKS PINE CANYON ROAD "THREE POINTS ROAD TO LAKE HUGHES ROAD" TYPICAL SECTIONS & DETAILS PROJECT ID NO. RDC0014131
	PEA X2509653 DWG SHEET 4 OF 53			