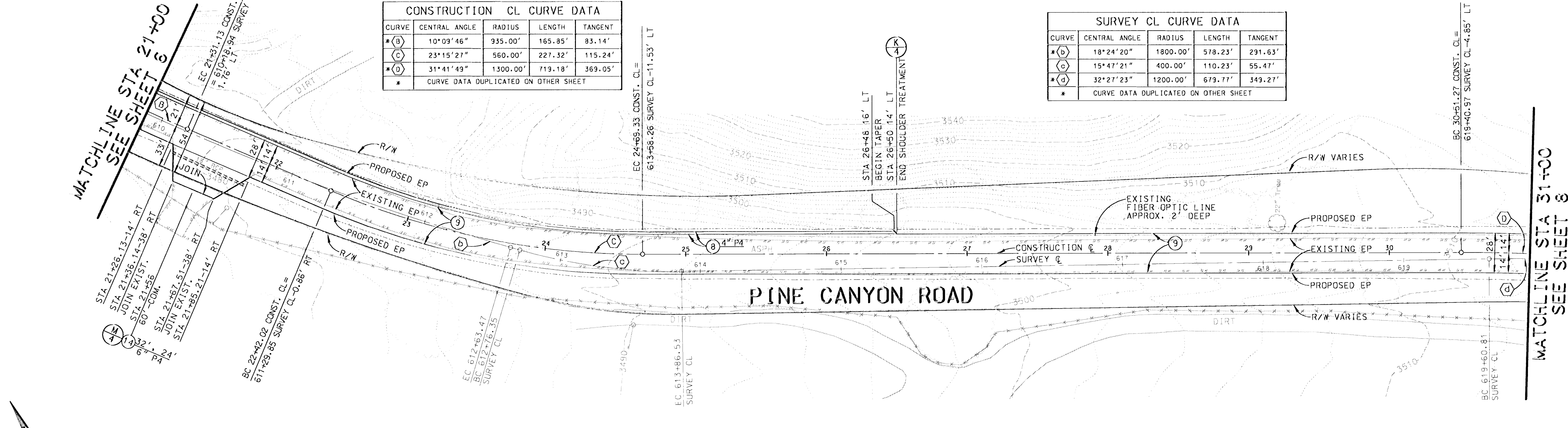
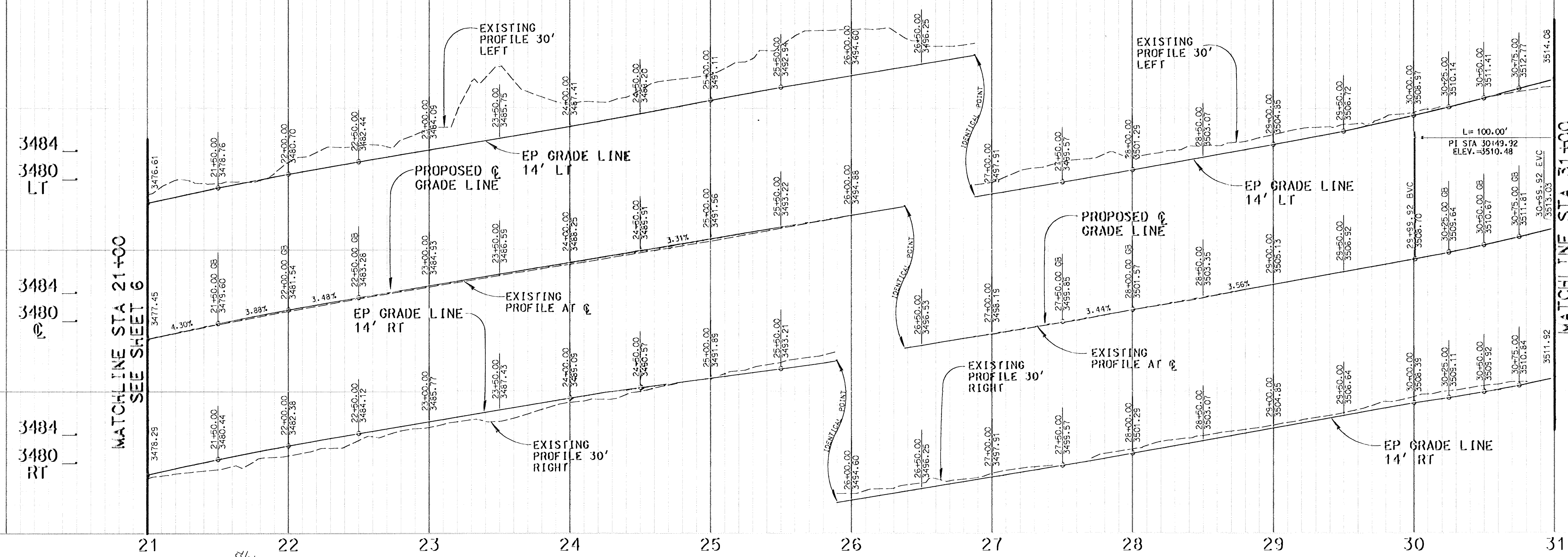


SCALE: HOR. 1"=40'
VERT. 1"=8'

REVIEWED BY:
Manuel Orellana
MANUEL ORELLANA DATE 7-27-03
CONSULTANT DESIGN SECTION



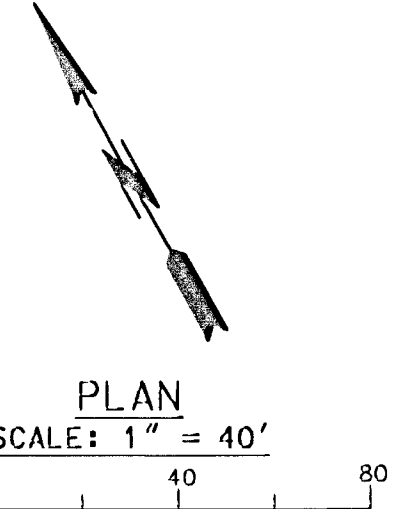
CURVE	CENTRAL ANGLE	RADIUS	LENGTH	TANGENT
* (B)	10°09'46"	935.00'	165.85'	83.14'
(C)	23°15'27"	560.00'	227.32'	115.24'
* (D)	31°41'49"	1300.00'	719.18'	369.05'

* CURVE DATA DUPLICATED ON OTHER SHEET

CURVE	CENTRAL ANGLE	RADIUS	LENGTH	TANGENT
* (D)	18°24'20"	1800.00'	578.23'	291.63'
(E)	15°47'21"	400.00'	110.23'	55.47'
* (F)	32°27'23"	1200.00'	673.77'	349.27'

* CURVE DATA DUPLICATED ON OTHER SHEET

CADD PROJECT FILE NAME: RDC0014131.HYD.SHEET.07.DGN
CHECKER: CXCO
DESIGNER: JGR/RWBR
DRAFTER: AAP



BENCH MARK NO. 2 PWB 3810 0001
SPK IN E SIDE PP (NDW) 1FT UP 44FT WLY/O C/L
PINE CYN RD & 0.2MI SE/O PINE CYN RD
ELEV. = 3480.216

BENCH MARK NO. 3 PWB 3810 0001
11N TP FL 32FT WLY/O C/L PINE CYN RD & 0.3MI
SE/O THREE POINTS RD
ELEV. = 3480.216

LA CO DPW BENCH MARK LIST
LANCASTER WEST 1998 QUAD
NAVD '88 DATUM

DAVID EVANS AND ASSOCIATES INC.
800 North Haven Avenue, Suite 300
Ontario California 91764
Phone: 909.481.5750

TWO DAYS BEFORE YOU DIG
CALL USA TOLL FREE
1-800-227-2600

DATE	MK	DESCRIPTION

REGISTERED PROFESSIONAL ENGINEER
JEFFREY K. RUPP
NO. 42868
EXP. 3/31/2004
CIVIL
STATE OF CALIFORNIA

Jeffrey K. Rupp 7/10/03
PROJECT ENGINEER DATE

COUNTY OF LOS ANGELES DEPARTMENT OF PUBLIC WORKS
PINE CANYON ROAD
"THREE POINTS ROAD TO LAKE HUGHES ROAD"
PROJECT ID NO. RDC0014131

PCA X2509653 DWG SHEET 7 OF 53

