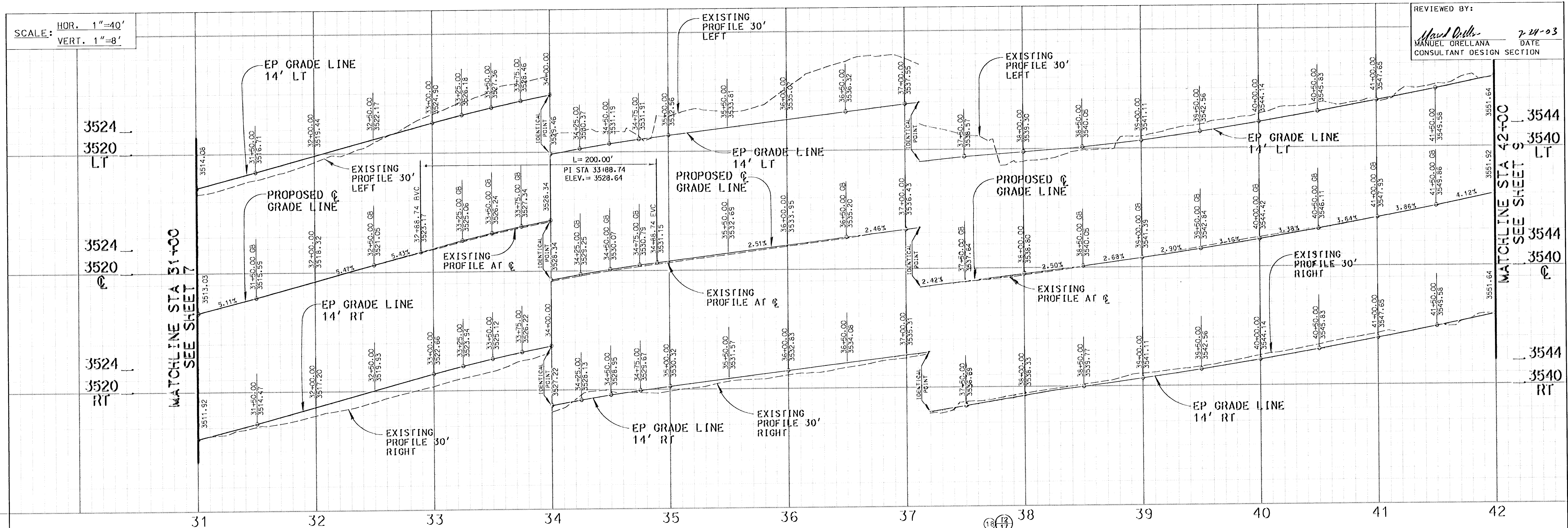


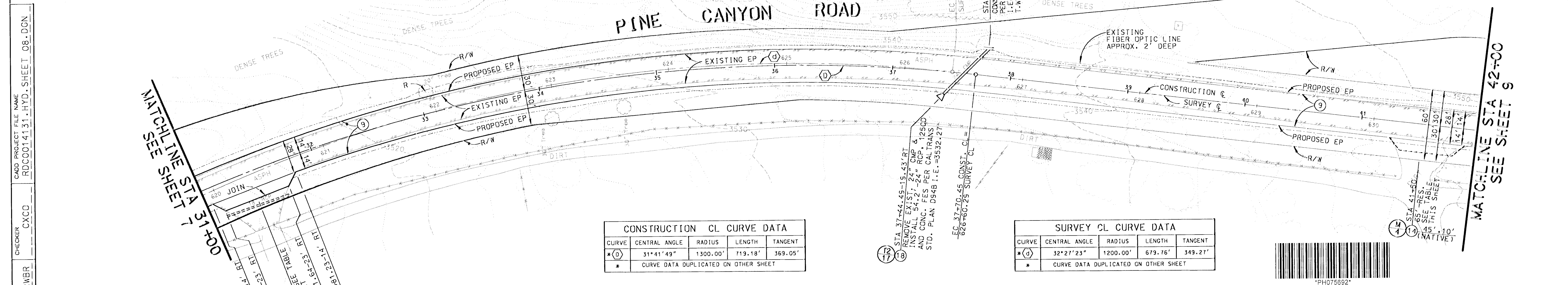
SCALE: HOR. 1"=40'
VERT. 1"=8'

REVIEWED BY:
Manuel Drellana 7-24-03
MANUEL DRELLANA DATE
CONSULTANT DESIGN SECTION



TYPICAL DRIVEWAY SECTION DATA

DRIVEWAY STATION	SIDE	PLAN SHEET NO.	DRIVEWAY WIDTH (W, O)(FT)	ROADWAY GRADE %	SLOPE A %	DISTANCE A (FT)	SLOPE B %	DISTANCE B (FT)	SLOPE C %	DISTANCE C (FT)
31+42	R	8	75.57	-8.0	-5.0	3	-2.0	6	-	-
41+50	R	8	65.45	-2.0	-5.0	3	0.0	7	-	-



CONSTRUCTION CL CURVE DATA

CURVE	CENTRAL ANGLE	RADIUS	LENGTH	TANGENT
* (D)	31°41'49"	1300.00'	713.18'	369.05'

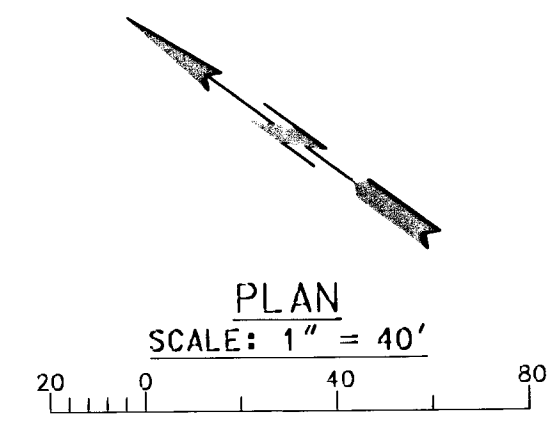
* CURVE DATA DUPLICATED ON OTHER SHEET

SURVEY CL CURVE DATA

CURVE	CENTRAL ANGLE	RADIUS	LENGTH	TANGENT
* (D)	32°27'23"	1200.00'	679.16'	349.27'

* CURVE DATA DUPLICATED ON OTHER SHEET

CADD PROJECT FILE NAME: RDC0014131.HYD.SHEET 08.DGN
CHECKER: CXCO
DESIGNER: JGR/RWB
DRAWER: AAP



BENCH MARK NO. 4 PMLB 3810 0001
CHIS 50 IN S END CONC FENCE TRACK 48FT W/O C/L PINE CYN RD & 0.4MI SE/O THREE POINTS RD @ GATE POST STRUCTURE)
ELEV. = 3514.582

BENCH MARK NO. 5 PMLB 3810 0001
11N 1P FL 46FT W/O C/L PINE CYN RD & 0.50MI SE/O THREE POINTS RD 5FT S/O MI MKR 9.17
ELEV. = 3536.177

LA CO DPW BENCH MARK LIST
LANCASTER WEST 1998 QUAD
NAVD '88 DATUM

DAVID EVANS AND ASSOCIATES INC.
800 North Haven Avenue, Suite 300
Ontario California 91784
Phone: 909.481.5750

TWO DAYS BEFORE YOU DIG
CALL USA TOLL FREE
1-800-227-2600

DATE	MK	DESCRIPTION

REGISTERED PROFESSIONAL ENGINEER
JEFFREY K. RUPP
No. 42868
Exp. 3/31/2004
CIVIL
STATE OF CALIFORNIA

COUNTY OF LOS ANGELES DEPARTMENT OF PUBLIC WORKS

PINE CANYON ROAD
"THREE POINTS ROAD TO LAKE HUGHES ROAD"

PROJECT ID NO. RDC0014131

PCA X250965J DWG SHEET 8 OF 53