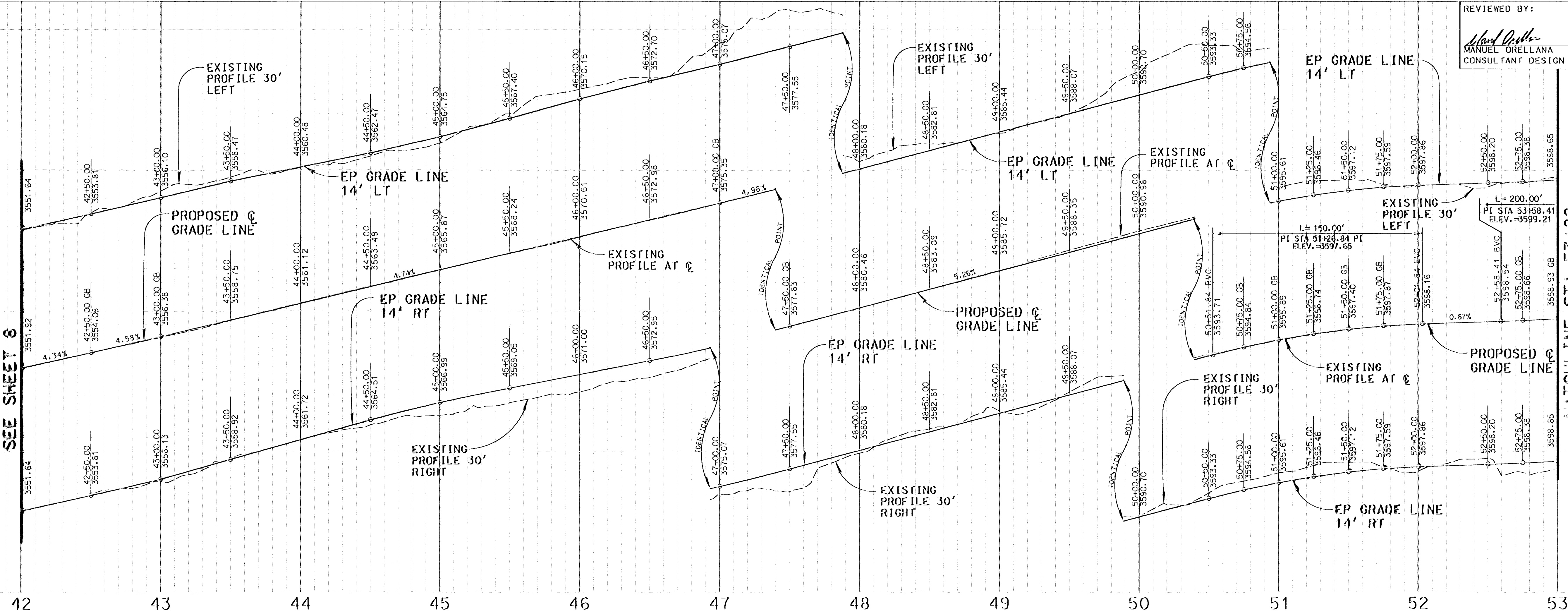


SCALE: HOR. 1"=40'
VERT. 1"=8'

REVIEWED BY:
Manuel Orellana DATE: 7-21-03
MANUEL ORELLANA CONSULTANT DESIGN SECTION

3564
3560
3564
3560
3564
3560
RT

WATCHLINE STA 42+00
SEE SHEET 8

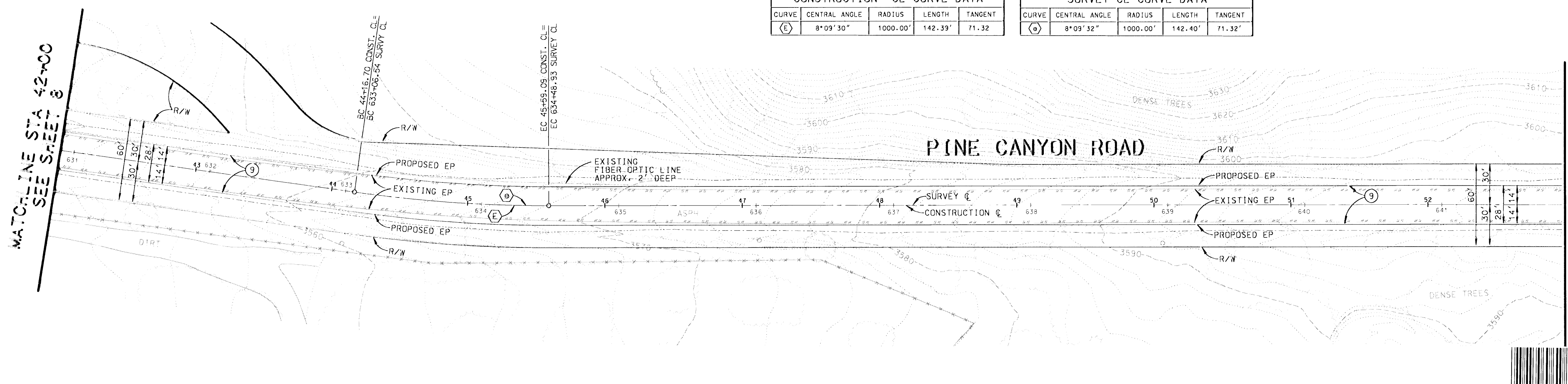


3604
3600
3604
3600
3604
3600
RT

WATCHLINE STA 53+00
SEE SHEET 10

CONSTRUCTION CL CURVE DATA				
CURVE	CENTRAL ANGLE	RADIUS	LENGTH	TANGENT
(E)	8°09'30"	1000.00'	142.39'	71.32'

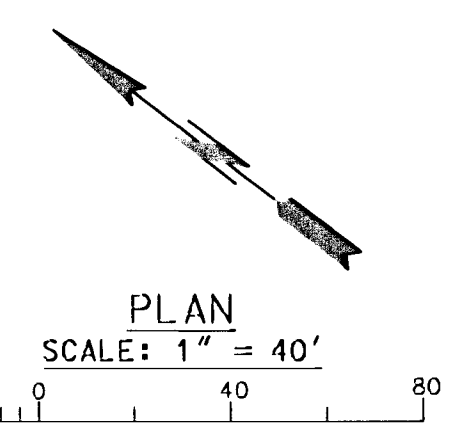
SURVEY CL CURVE DATA				
CURVE	CENTRAL ANGLE	RADIUS	LENGTH	TANGENT
(9)	8°09'32"	1000.00'	142.40'	71.32'



WATCHLINE STA 42+00
SEE SHEET 8

WATCHLINE STA 53+00
SEE SHEET 10

CADD PROJECT FILE NAME: RD00014131.HYD.SHEET_09.DGN
CHECKER: CXCC
DESIGNER: JGR/RWBR
DRAWN: AAP



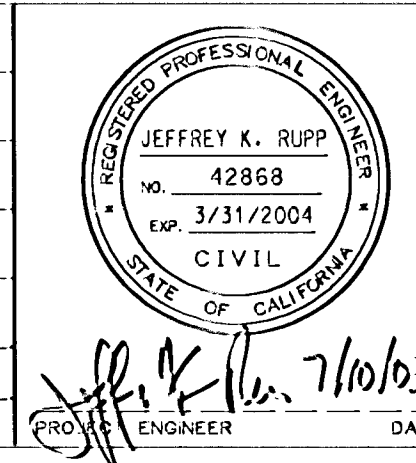
BENCH MARK NO. 111-55 P.W.B 3710 0001
CSM MGN IN CONC FL 38FT S/O C/L PINE CYN RD & 0.6MI SE/O THREE POINTS RD TPT N/O PPH#200327E
MKR POST 2 FT N/O MGN MKD (111-55 1360 5869)
ELEV.=3561.349

BENCH MARK NO. 6 P.W.B 3710 0001
2IN IP FL 35FT S/O C/L PINE CYN RD & 0.7MI SE/O
THREE POINTS RD 95FT W/O PP (IND#)
ELEV.=3582.157

LA CD DPW BENCH MARK LIST
LANCASTER WEST 1998 QUAD
NAVD '88 DATUM

DAVID EVANS AND ASSOCIATES INC.
800 North Haven Avenue, Suite 300
Ontario California 91764
Phone: 909.481.5750

TWO DAYS BEFORE YOU DIG
CALL USA TOLL FREE
1-800-227-2600



COUNTY OF LOS ANGELES DEPARTMENT OF PUBLIC WORKS
PINE CANYON ROAD
"THREE POINTS ROAD TO LAKE HUGHES ROAD"
PROJECT ID NO. RD00014131
DATE: 7/10/03
PCA X2509653 DWG SHEET 9 OF 53

