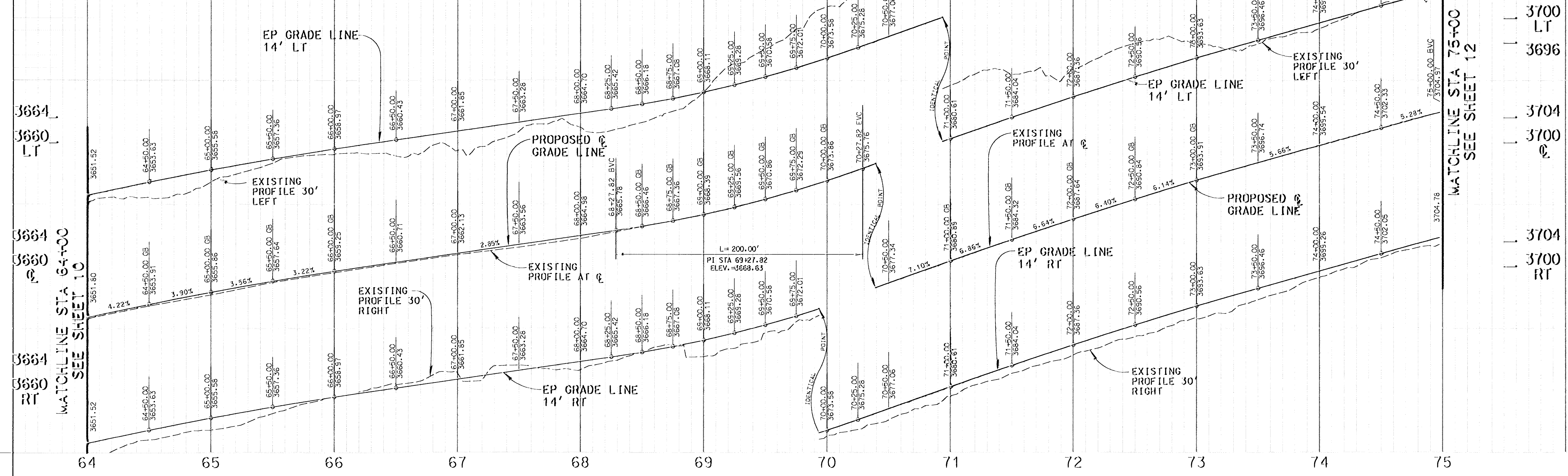
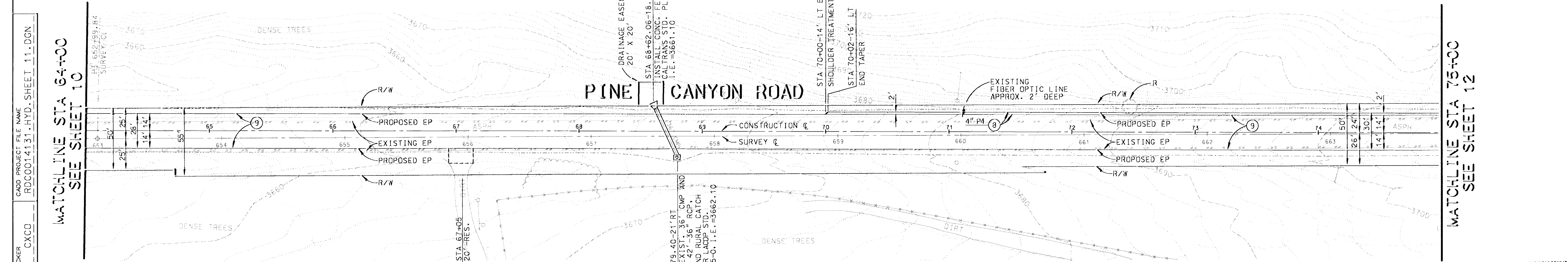


SCALE: HOR. 1"=40'  
VERT. 1"=8'

REVIEWED BY:  
*Manuel Orellana*  
MANUEL ORELLANA DATE  
CONSULTANT DESIGN SECTION

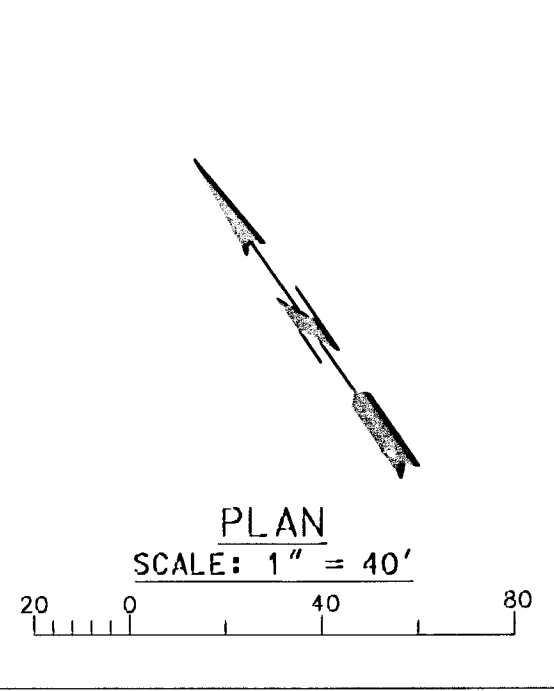


3700 LT  
3696  
3704  
3700  
3704  
3700 RT



CADD PROJECT FILE NAME: RDC0014131\_HYD\_SHEET 11.DGN  
CHECKER: CXCD  
DESIGNER: JGR/RWBR  
DRAFTER: AAP

MATCHLINE STA 64+00  
SEE SHEET 10



BENCH MARK NO. 111-54 PWB 3711 0001  
CSBM MGN 32FT SW/O C/L PINE CYN RD & 1MI SE/O THREE POINTS RD 95FT NLY/O PP#G1101215  
400FT NWLY/O THE NW COR 12FT CHAIN LINK FENCE MKD (US 1485 X-23 1929 ELEV. = 3652.828)

BENCH MARK NO. 9 PWB 3711 0001  
SPK IN N SIDE PP (NDW) 1FT UP 38FT S/O C/L PINE CYN RD & 1.1MI SE/O THREE POINTS RD 21FT S/O MI MKR 8.58 ELEV. = 3668.547

BENCH MARK NO. 10 PWB 3711 0001  
SPK IN N SIDE PPH435657E 1FT UP 26FT S/O C/L PINE CYN RD & 1.2MI SE/O THREE POINTS RD ELEV. = 3701.726

LA CD DPW BENCH MARK LIST  
LANCASTER WEST 1998 QUAD  
NAVD '88 DATUM

**DAVID EVANS AND ASSOCIATES INC.**  
800 North Haven Avenue, Suite 300  
Ontario California 91764  
Phone: 909.481.5750

TWO DAYS BEFORE YOU DIG  
CALL USA TOLL FREE  
1-800-227-2600

DATE	MK	DESCRIPTION

PROFESSIONAL ENGINEER  
JEFFREY K. RUPP  
NO. 42868  
EXP. 3/31/2004  
CIVIL  
STATE OF CALIFORNIA

7/10/03

COUNTY OF LOS ANGELES DEPARTMENT OF PUBLIC WORKS

**PINE CANYON ROAD**  
"THREE POINTS ROAD TO LAKE HUGHES ROAD"

PROJECT ID NO. RDC0014131

PCA X2509653 DWG SHEET 11 OF 53

