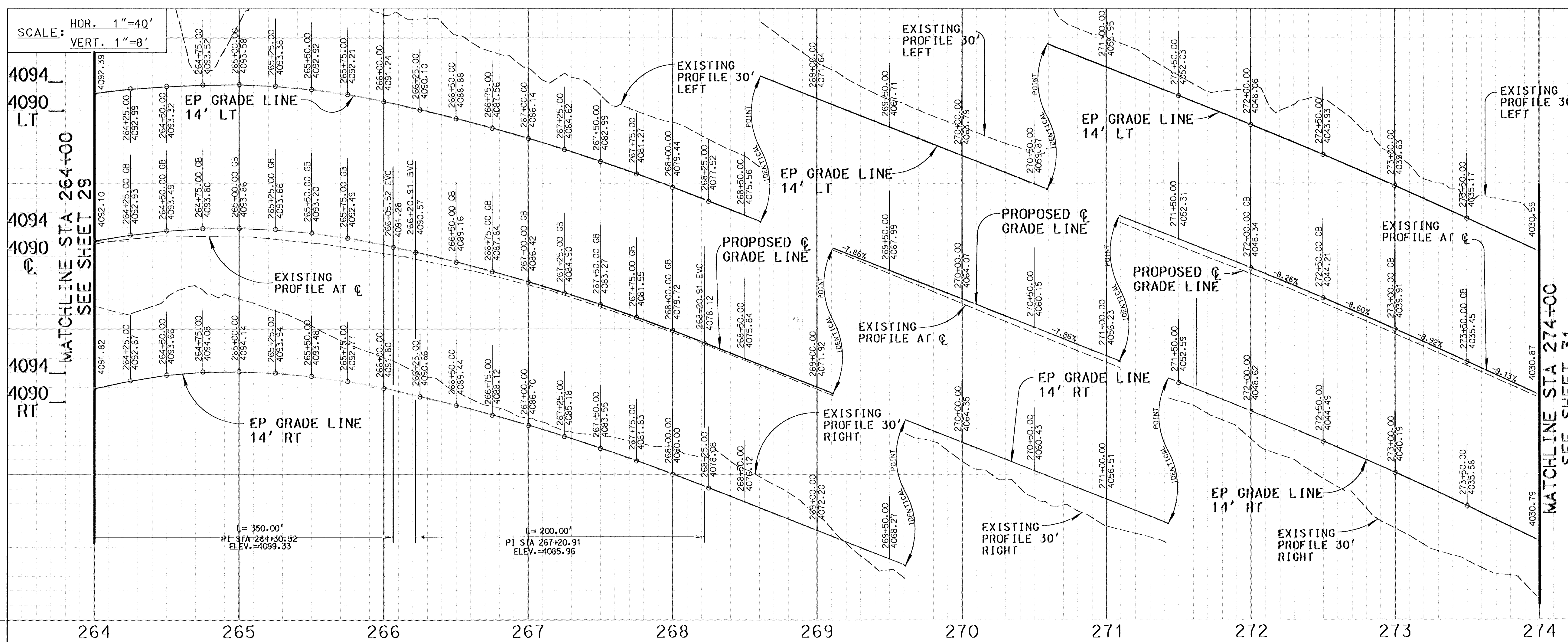


REVIEWED BY:  
*Manuel Orellana*  
 MANUEL ORELLANA DATE 7-22-03  
 CONSULTANT DESIGN SECTION



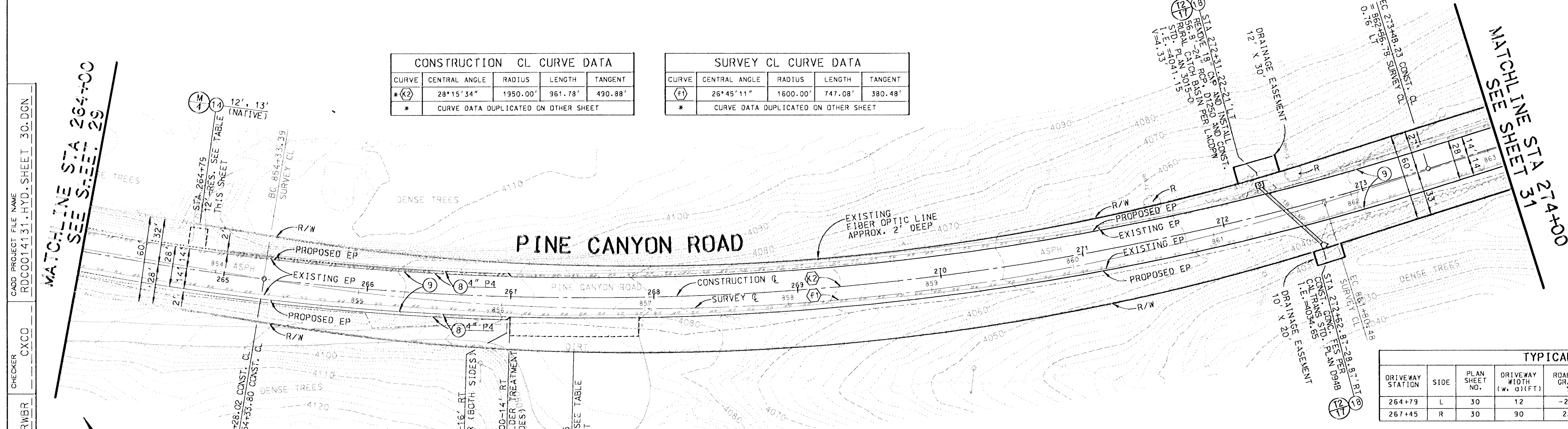
4034  
 4030  
 LT  
 4034  
 4030  
 C  
 4034  
 4030  
 RT

CONSTRUCTION CL CURVE DATA

CURVE	CENTRAL ANGLE	RADIUS	LENGTH	TANGENT
* (K2)	28°15'34"	1950.00'	361.78'	490.88'
* CURVE DATA DUPLICATED ON OTHER SHEET				

SURVEY CL CURVE DATA

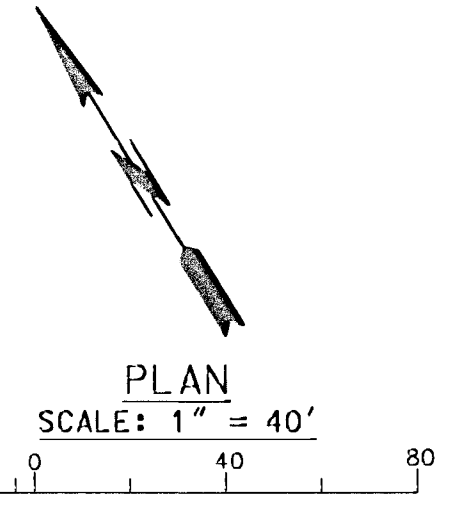
CURVE	CENTRAL ANGLE	RADIUS	LENGTH	TANGENT
(F)	26°45'11"	1600.00'	747.08'	380.48'
* CURVE DATA DUPLICATED ON OTHER SHEET				



TYPICAL DRIVEWAY SECTION DATA

DRIVEWAY STATION	SIDE	PLAN SHEET NO.	DRIVEWAY WIDTH (W, @10FT)	ROADWAY GRADE %	SLOPE A %	DISTANCE A (FT)	SLOPE B %	DISTANCE B (FT)	SLOPE C %	DISTANCE C (FT)
264+79	L	30	12	-2.0	5.0	3	10.0	10	-	-
267+45	R	30	90	2.0	5.0	3	10.0	10	-	-

CADD PROJECT FILE NAME: RDC0014131-HYD-SHEET 30.DGN  
 CHECKER: CXCC  
 DESIGNER: JCR/RWB  
 DRAFTER: AAP



BENCH MARK NO. 111-47 P.W.B. 3613 0001  
 CSBM MON 32FT NELY/O C/L PINE CYN RD 62FT N/O  
 6IN IP GATE POST ON W EDGE DIRT RD SWI SE/O  
 THREE POINTS RD WKR POST 2FT S/O MON MKD  
 (111-47 1960 5869)  
 ELEV. = 4106.571  
 LA CO DPW BENCH MARK LIST  
 LANCASTER WEST 1998 QUAD  
 NAYD '88 DATUM

STA 266+56-16' RT  
 BEGIN TAPER (BOTH SIDES)  
 STA 267+00-14' RT  
 END SHOULDER TREATMENT  
 100' H SIDES  
 STA 267+45  
 30' WIDENING - SEE TABLE  
 STA 267+13'  
 90' x 13'  
 (NATIVE)

**DAVID EVANS AND ASSOCIATES INC.**  
 800 North Haven Avenue, Suite 300  
 Ontario California 91784  
 Phone: 909.481.5750

TWO DAYS BEFORE YOU DIG  
 CALL USA TOLL FREE  
 1-800-227-2600

DATE	MK	DESCRIPTION

PROFESSIONAL ENGINEER  
 JEFFREY K. RUPP  
 No. 42868  
 Exp. 3/31/2004  
 CIVIL  
 STATE OF CALIFORNIA  
 7/14/03

COUNTY OF LOS ANGELES DEPARTMENT OF PUBLIC WORKS  
**PINE CANYON ROAD**  
 "THREE POINTS ROAD TO LAKE HUGHES ROAD"  
 PROJECT ID NO. RDC0014131  
 PCA X2509653 DWG SHEET 30 OF 53