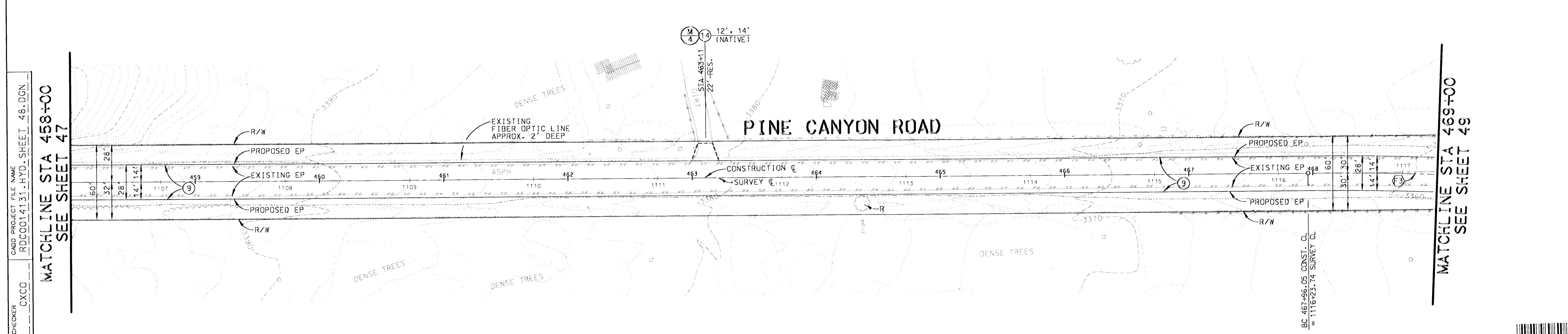
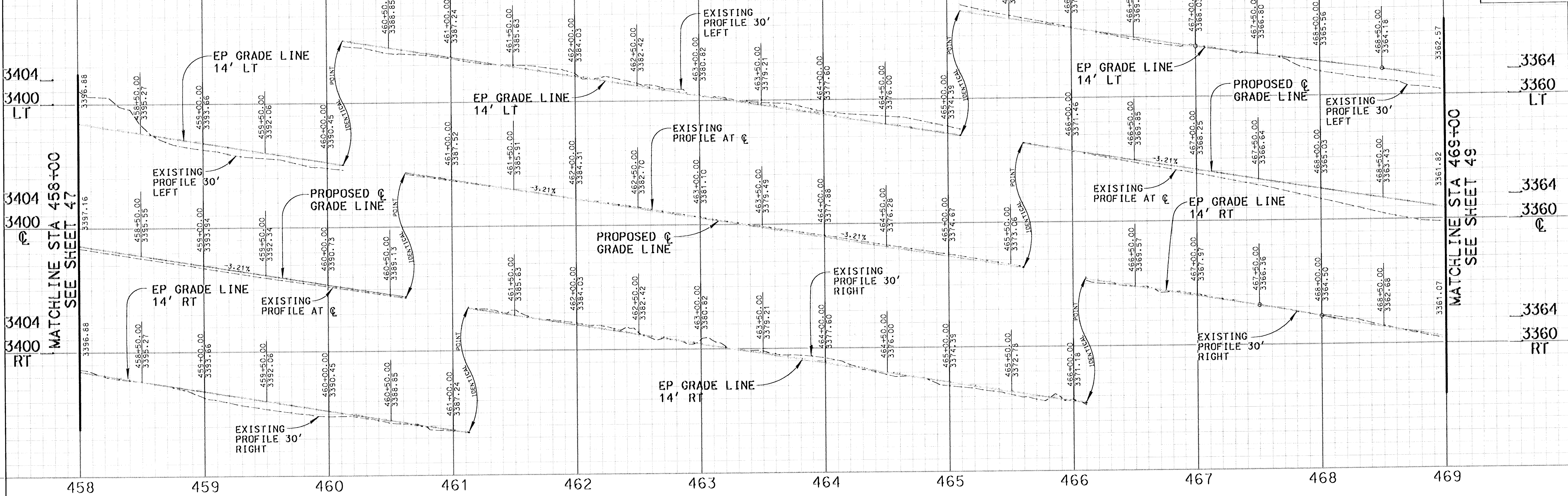


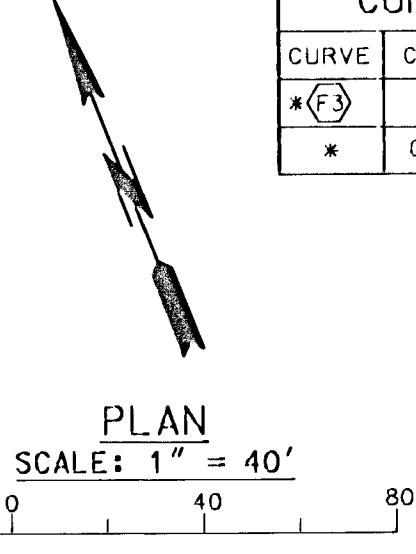
SCALE: HOR. 1"=40'
VERT. 1"=8'

REVIEWED BY:
Manuel Orellana 7-24-03
MANUEL ORELLANA DATE
CONSULTANT DESIGN SECTION



CONSTRUCTION CL CURVE DATA

CURVE	CENTRAL ANGLE	RADIUS	LENGTH	TANGENT
* (F)	9°54'45"	2500.00'	432.51'	216.80'
*	CURVE DATA DUPLICATED ON OTHER SHEET			



BENCH MARK NO. 111-40 PWB 3614 0002
CSBM MGN 26FT N/O C/L PINE CYN RD & 440FT WLY/O
DIRT RD TO HSE #19023 MGR POST 2FT N/O MGN
ELEV. = 3393.626
LA CO DPW BENCH MARK LIST
LANCASTER WEST 1998 QUAD
NAVD '88 DATUM

DAVID EVANS AND ASSOCIATES INC.
800 North Haven Avenue, Suite 300
Ontario California 91764
Phone: 909.481.5750

TWO DAYS BEFORE YOU DIG
CALL USA TOLL FREE
1-800-227-2600

DATE	BY	DESCRIPTION

REGISTERED PROFESSIONAL ENGINEER
JEFFREY K. RUPP
NO. 42868
EXP. 3/31/2004
CIVIL
STATE OF CALIFORNIA

COUNTY OF LOS ANGELES DEPARTMENT OF PUBLIC WORKS
PINE CANYON ROAD
"THREE POINTS ROAD TO LAKE HUGHES ROAD"
PROJECT ID NO. RDC0014131
PCA X2509653 DWG SHEET 48 OF 53

