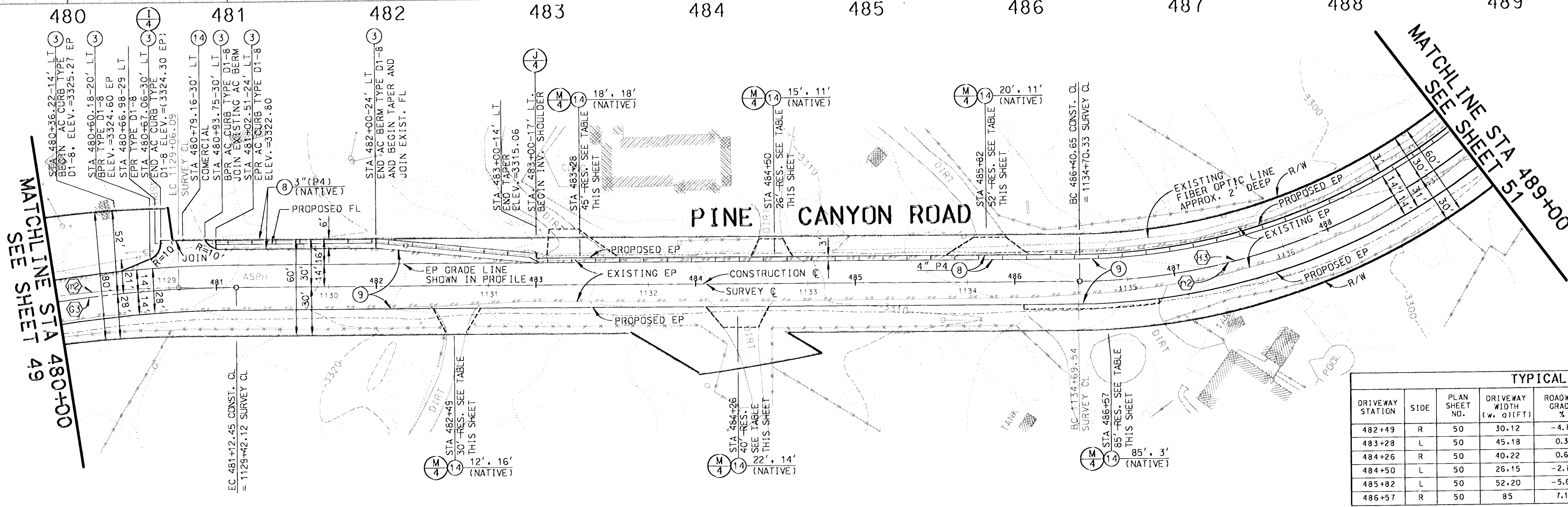
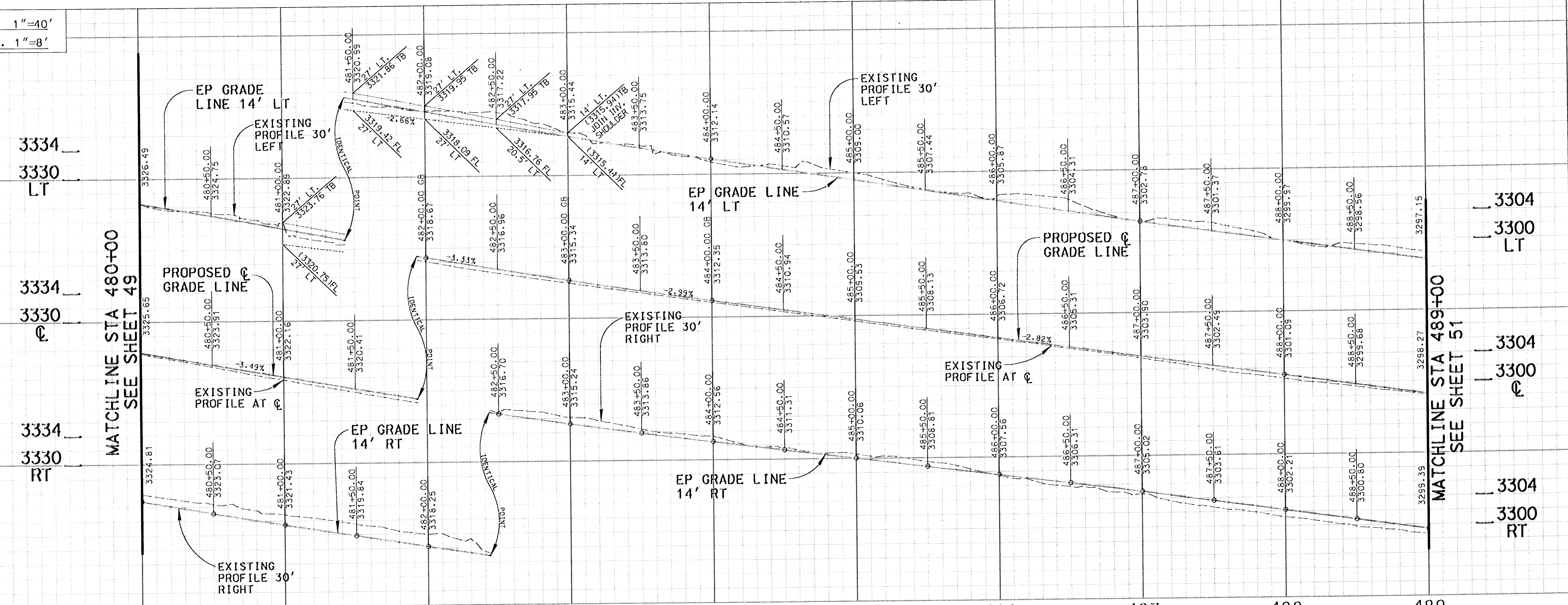


SCALE: HOR. 1"=40'
VERT. 1"=8'

REVIEWED BY:
Manuel Orellana 7.21.03
MANUEL ORELLANA DATE
CONSULTANT DESIGN SECTION



SURVEY CL CURVE DATA

CURVE	CENTRAL ANGLE	RADIUS	LENGTH	TANGENT
* (M2)	27° 01' 05"	600.00'	282.93'	144.15'
* (M2)	58° 23' 34"	400.00'	407.66'	223.52'

* CURVE DATA DUPLICATED ON OTHER SHEET

CONSTRUCTION CL CURVE DATA

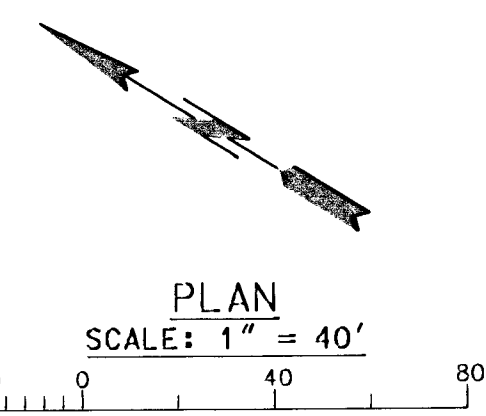
CURVE	CENTRAL ANGLE	RADIUS	LENGTH	TANGENT
* (M3)	27° 01' 05"	750.00'	353.61'	180.18'
* (M3)	58° 17' 35"	400.00'	406.26'	222.61'

* CURVE DATA DUPLICATED ON OTHER SHEET

TYPICAL DRIVEWAY SECTION DATA

DRIVEWAY STATION	SIDE	PLAN SHEET NO.	DRIVEWAY WIDTH (ft)	ROADWAY GRADE %	SLOPE A %	DISTANCE A (ft)	SLOPE B %	DISTANCE B (ft)	SLOPE C %	DISTANCE C (ft)
482+49	R	50	30.12	-4.7	5.0	3	7.0	13	-	-
483+28	L	50	45.18	0.3	-2.0	10	-10.0	8	-	-
484+26	R	50	40.22	0.6	-5.0	3	5.0	11	-	-
484+50	L	50	26.15	-2.7	-1.0	11	-	-	-	-
485+82	L	50	52.20	-5.6	-3.0	11	-	-	-	-
486+57	R	50	85	7.1	5.0	3	-	-	-	-

CADD PROJECT FILE NAME: RDC0014131.HYD.SHEET 50.DGN
CHECKER: CXCO
DESIGNER: JGR/RWB
DRAWN: AAP



BENCH MARK NO. 72 PWB 3614 0002
1 1/2" IP W/SPK 30FT S/O C/L PINE CYN RD & 22FT W/O C/L
DRWY TO HSE #18646 0.6MI W/O LAKE HUGHES RD
ELEV. = 3307.395
LA CO DPW BENCH MARK LIST
LANCASTER WEST 1998 QUAD
NAVD '88 DATUM

DAVID EVANS AND ASSOCIATES INC.
800 North Haven Avenue, Suite 300
Ontario California 91784
Phone: 909.481.5750

TWO DAYS BEFORE YOU DIG
CALL USA TOLL FREE
1-800-227-2600

DATE	MK	DESCRIPTION

PROFESSIONAL ENGINEER
JEFFREY K. RUPP
No. 42868
Exp. 3/31/2004
CIVIL
STATE OF CALIFORNIA

COUNTY OF LOS ANGELES DEPARTMENT OF PUBLIC WORKS
PINE CANYON ROAD
"THREE POINTS ROAD TO LAKE HUGHES ROAD"
PROJECT ID NO. RDC0014131
PCA X2509653 DWG SHEET 50 OF 53