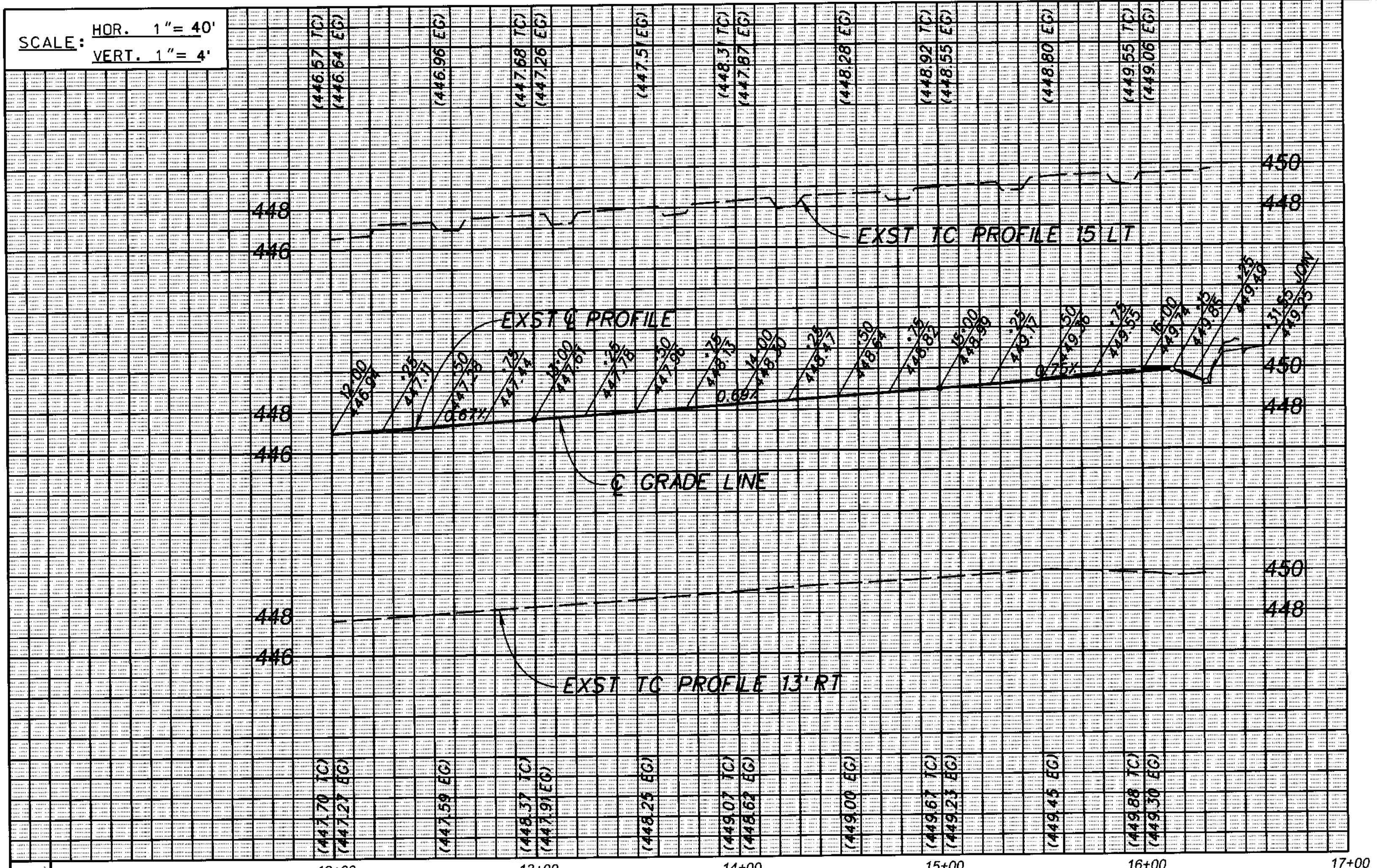
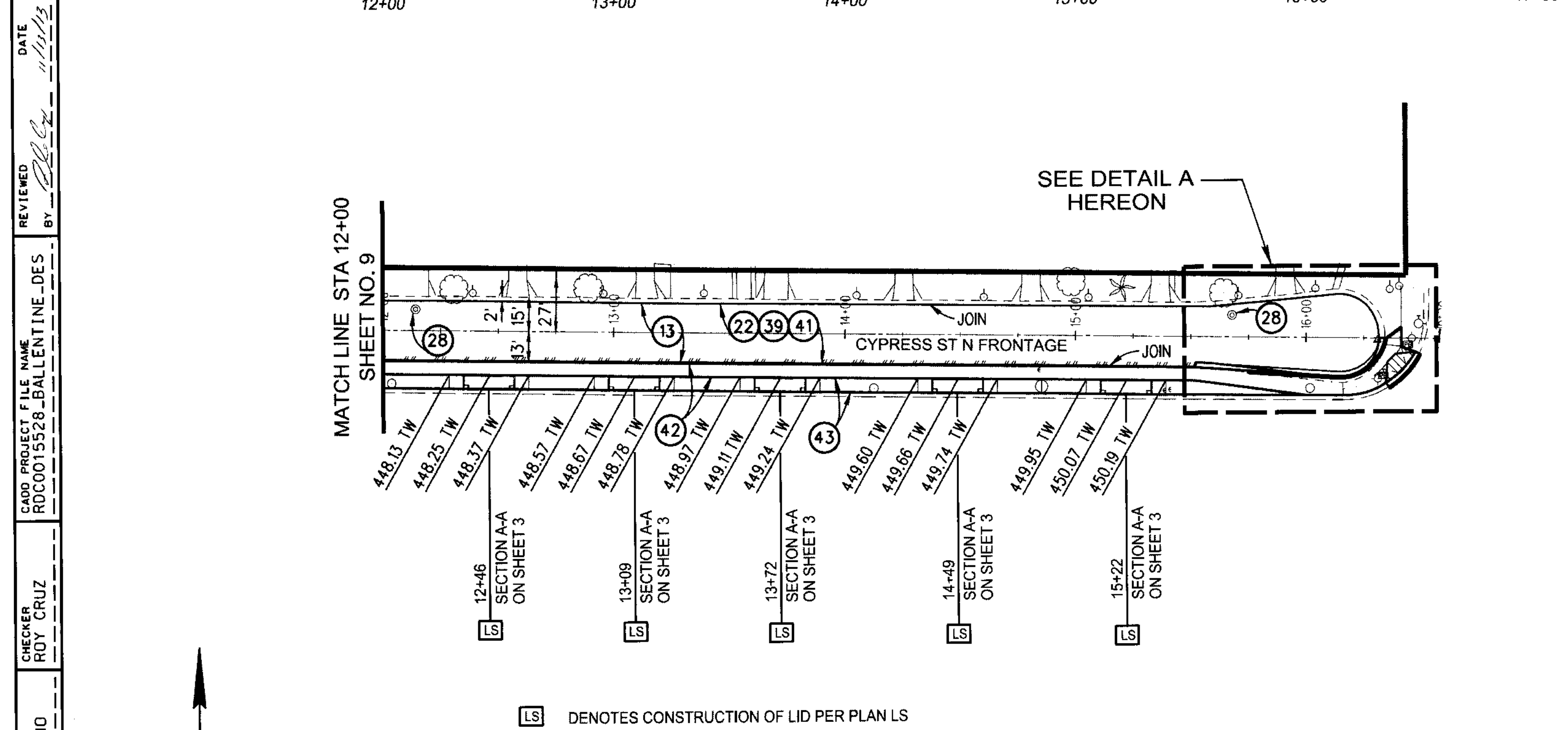


SCALE: HOR. 1" = 40'
VERT. 1" = 4'

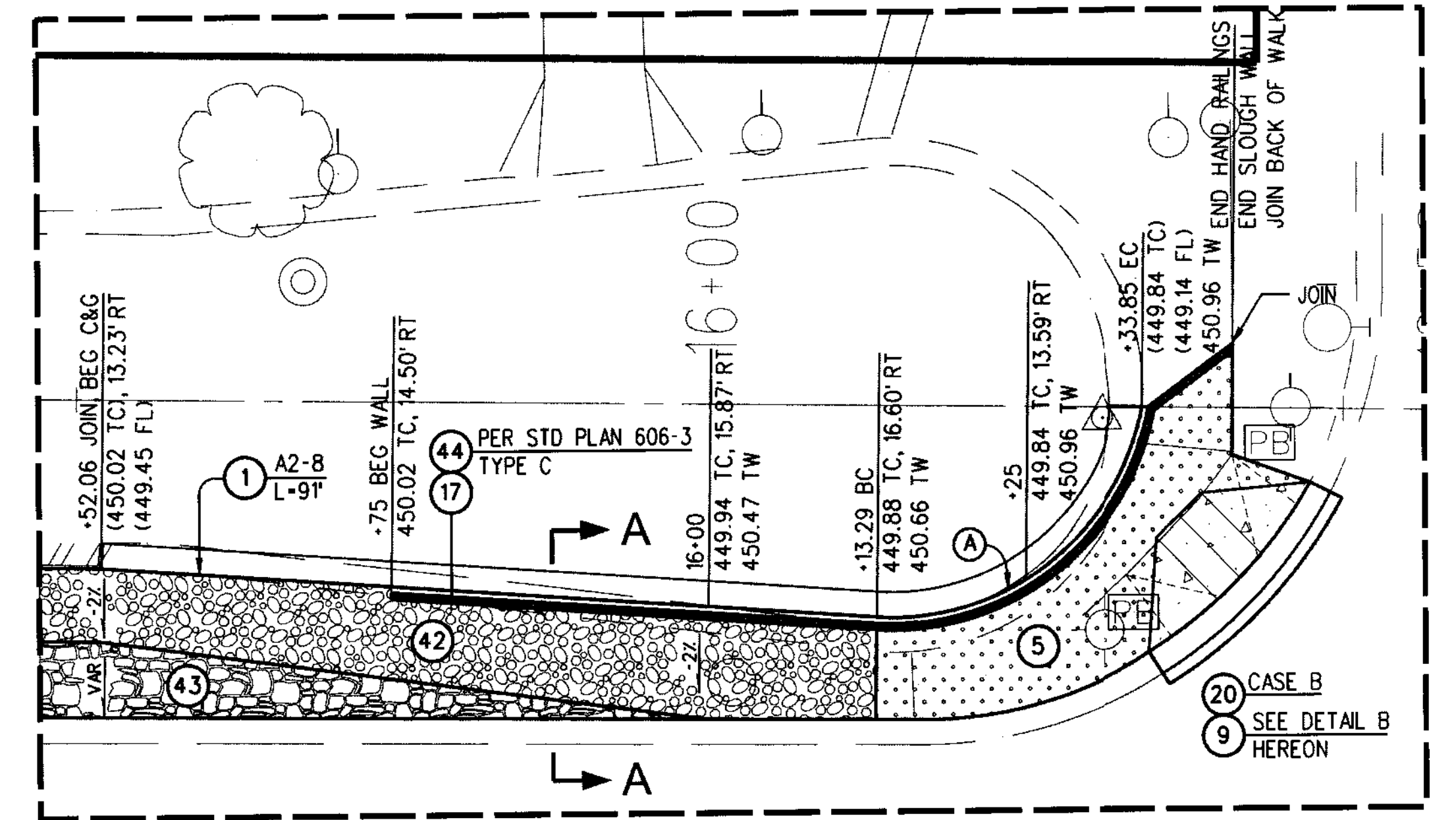


12+00 13+00 14+00 15+00 16+00 17+00



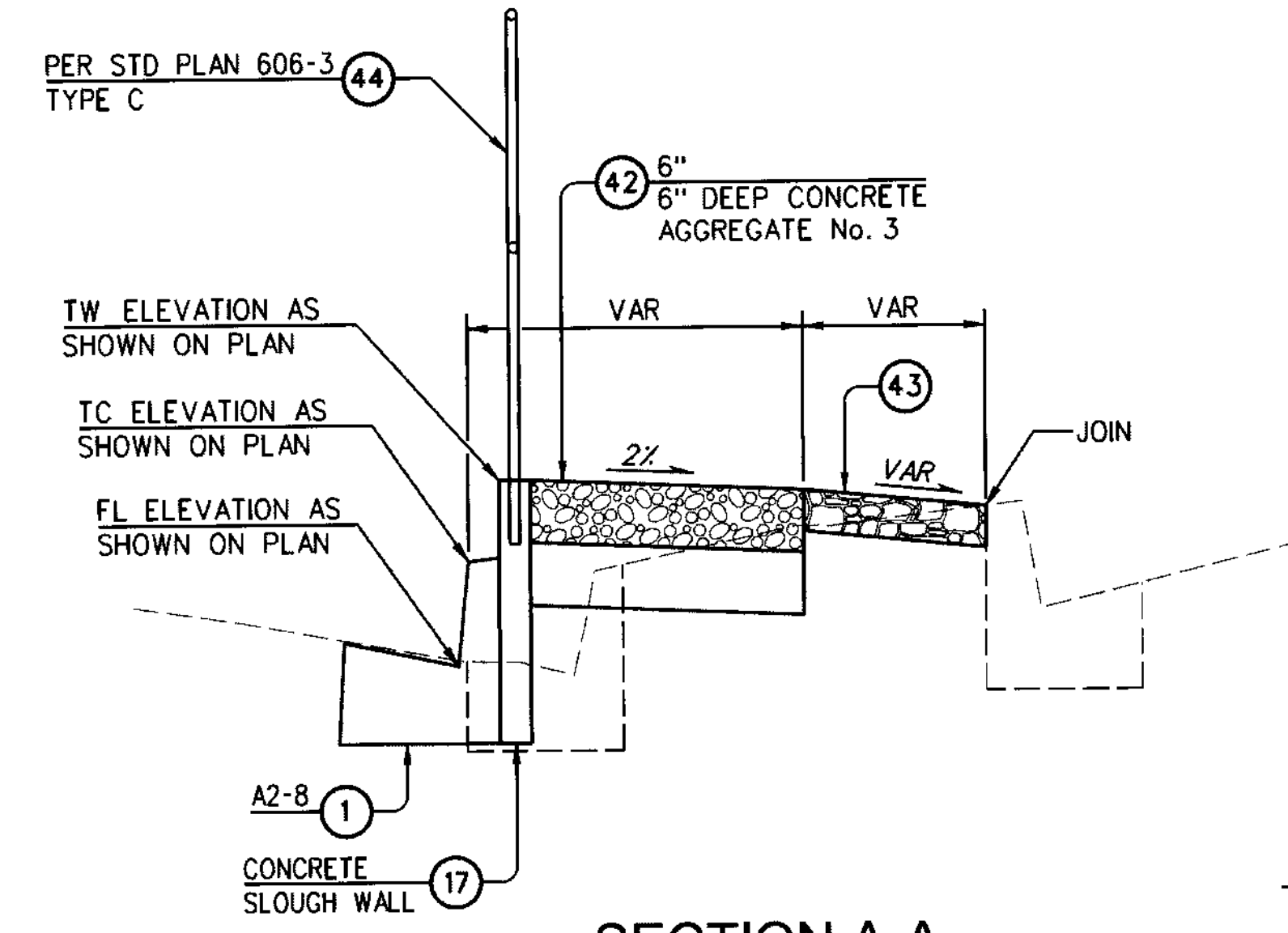
LS DENOTES CONSTRUCTION OF LID PER PLAN LS

BENCH MARK
PWL B 1430 PAGE 1271
EL 442.860 NAVD' 88 (COVINA 2005)
PT. 101
SPK & DPW (FLUSH) CL INT ELLEN & CYPRESS AV.

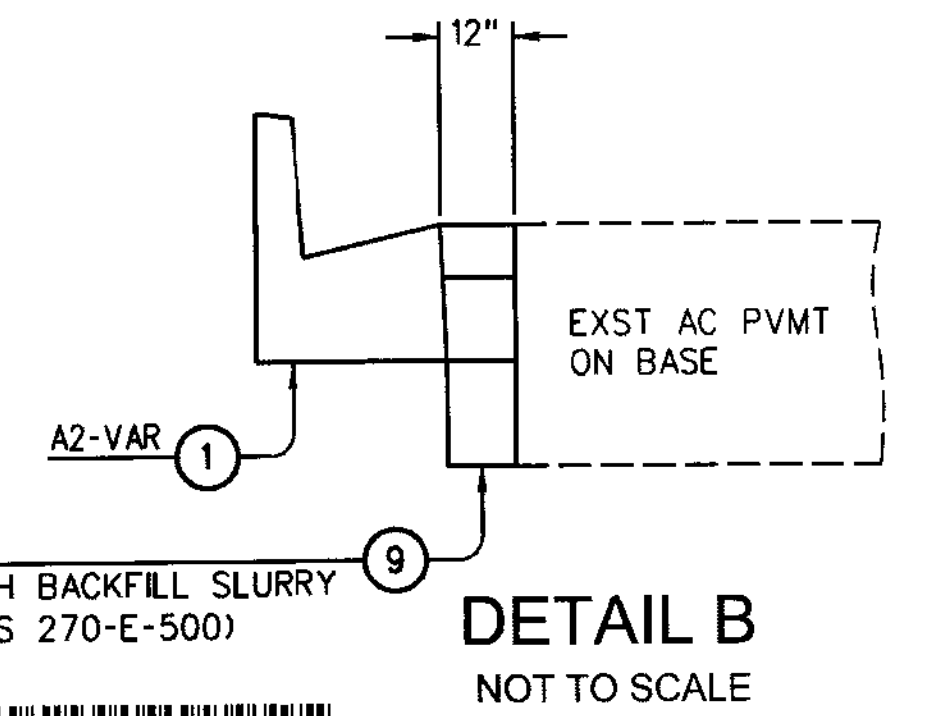


DETAIL A
NOT TO SCALE

CURVE	RADIUS FT.	CENTRAL ANGLE			LENGTH FT.	TANGENT FT.
		DEG.	MIN.	SEC.		
(A)	20	83	27	54	29.13	17.84



SECTION A-A
NOT TO SCALE



DETAIL B
NOT TO SCALE



DATE: 11/13/13
REVIEWED BY: [Signature]
CHECKER: NOT CRUZ
DESIGNER: THOMAS HO
DRAFTER: THOMAS HO

DATE	MR	DESCRIPTION

REGISTERED PROFESSIONAL ENGINEER
THOMAS P. HO
No. C60649
CIVIL
STATE OF CALIFORNIA
PROJECT ENGINEER
DATE: 11/13/13

COUNTY OF LOS ANGELES DEPARTMENT OF PUBLIC WORKS
BALLENTINE PL, ET AL
PLAN & PROFILE
PROJECT ID NO. RDC0015528
PCA X910000459 DWG PH082617 SHEET 10 OF 43