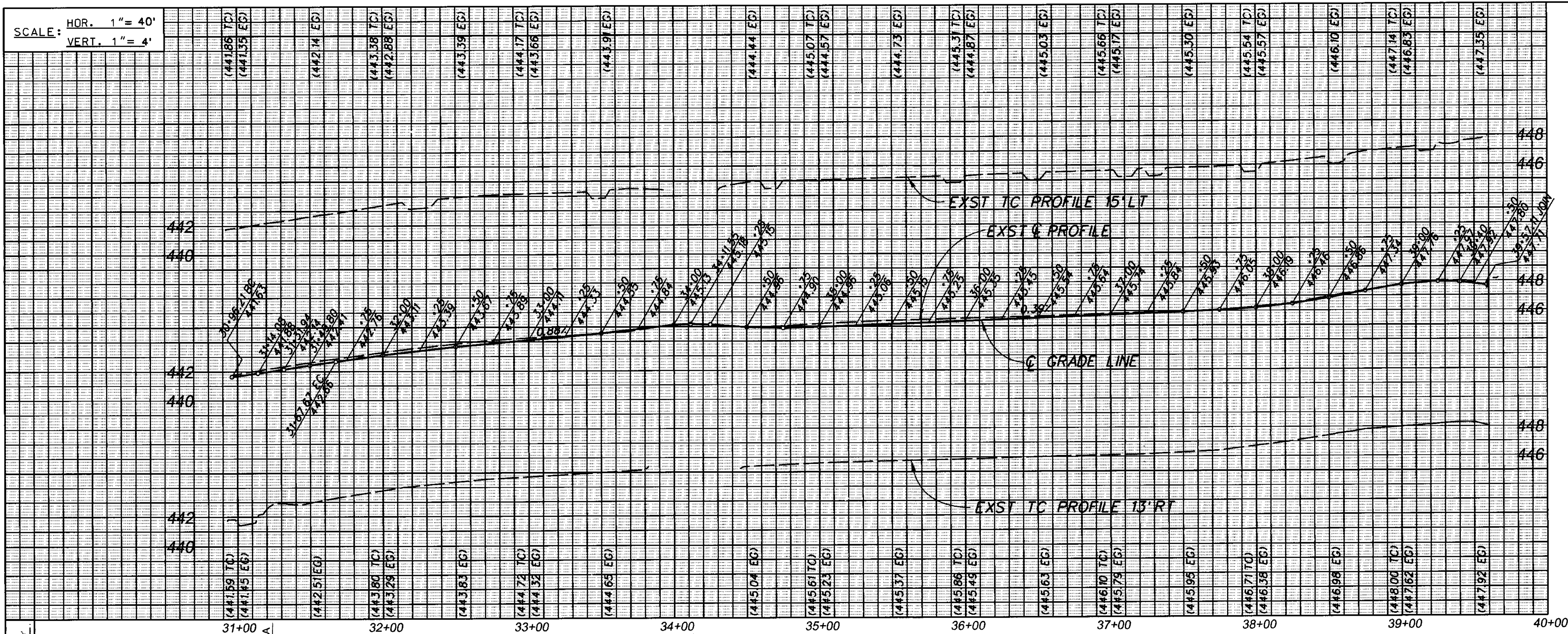


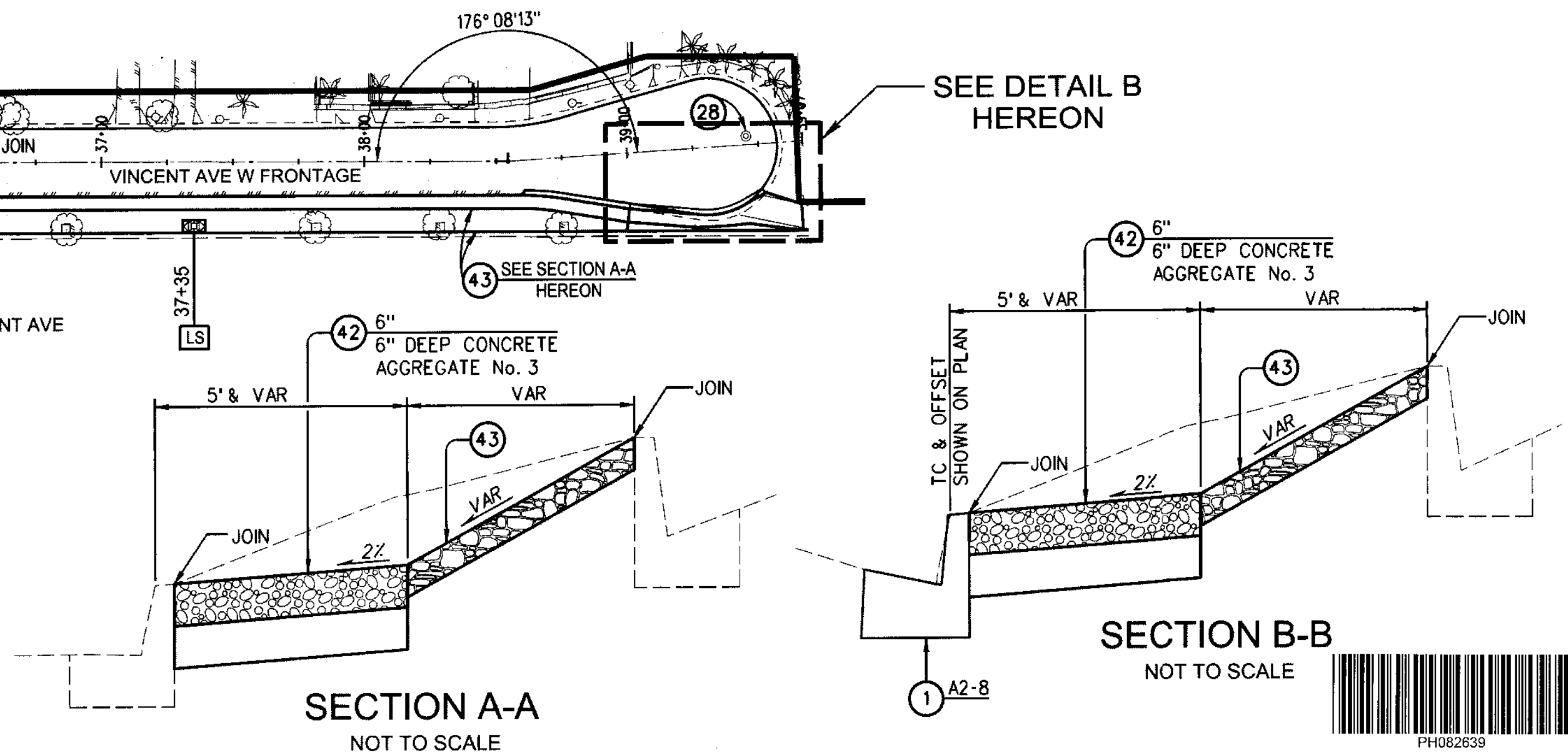
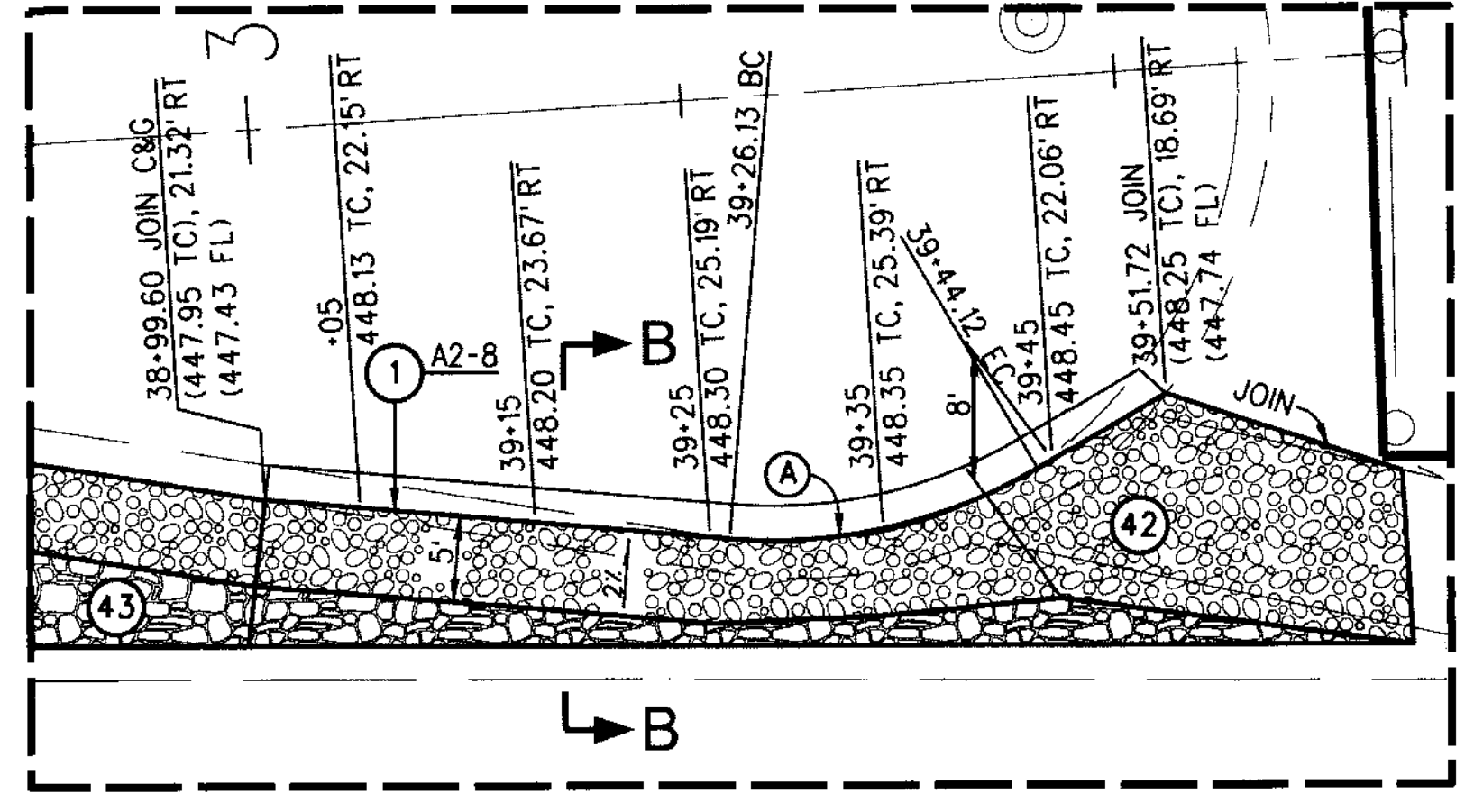
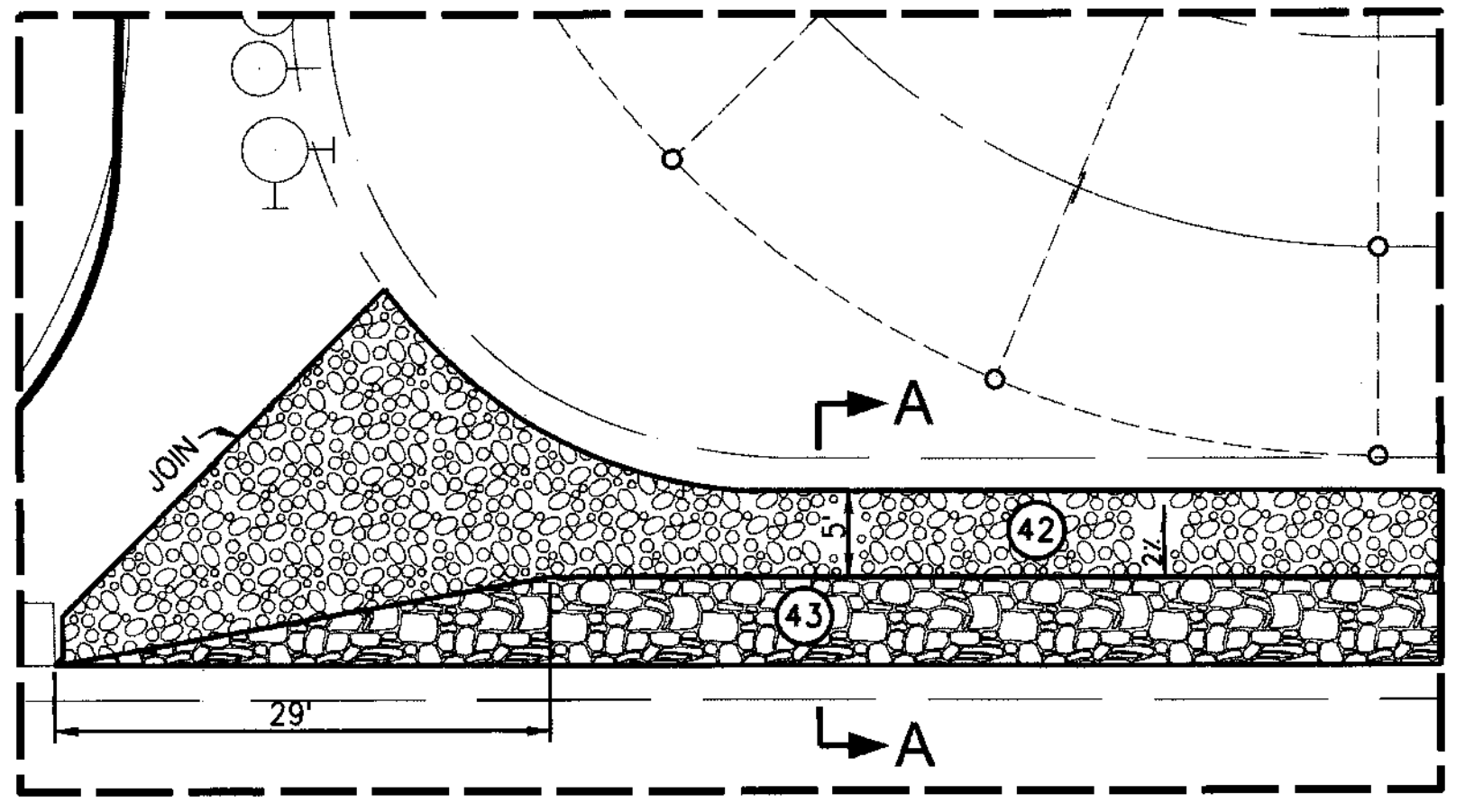
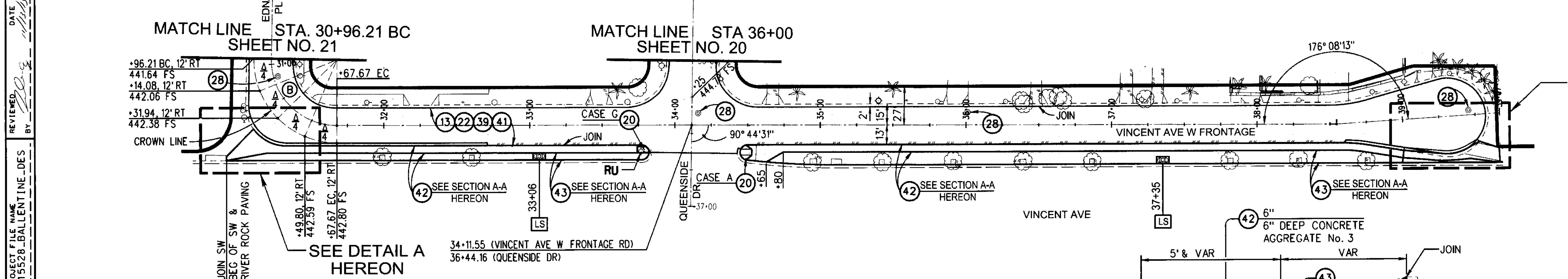
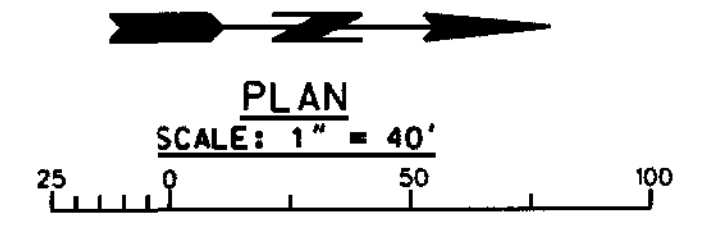
SCALE: HOR. 1" = 40'
VERT. 1" = 4'



BENCH MARK
PWL8 1430 PAGE 1285
EL 447.175 NAVD' 88 (COVINA 2005)
PT# 217
SPK & W DN 3" CL INT OF KINGSIDE
DR (E) & VINCENT AVE (SERVICE RD).

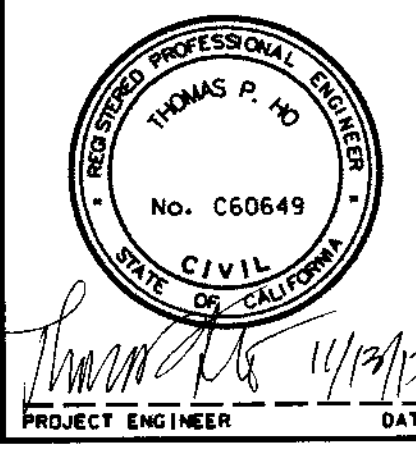
CURVE DATA

CURVE	RADIUS FT.	CENTRAL ANGLE			LENGTH FT.	TANGENT FT.
		DEG.	MIN.	SEC.		
(A)	30	35	21	29	18.51	9.56
(B)	45	90	59	01	71.46	45.78



DATE: 11/13/13
REVIEWED BY: [Signature]
CAD PROJECT FILE NAME: RDC0015528-BALLENLINE.DES
CHECKER: ROY CRUZ
DESIGNER: THOMAS HO
DRAFTER: THOMAS HO

DATE	MR	DESCRIPTION



COUNTY OF LOS ANGELES DEPARTMENT OF PUBLIC WORKS
BALLENLINE PL, ET AL
PLAN & PROFILE
PROJECT ID NO. RDC0015528
PCA X910000459 DWG PH082639 SHEET 32 OF 43