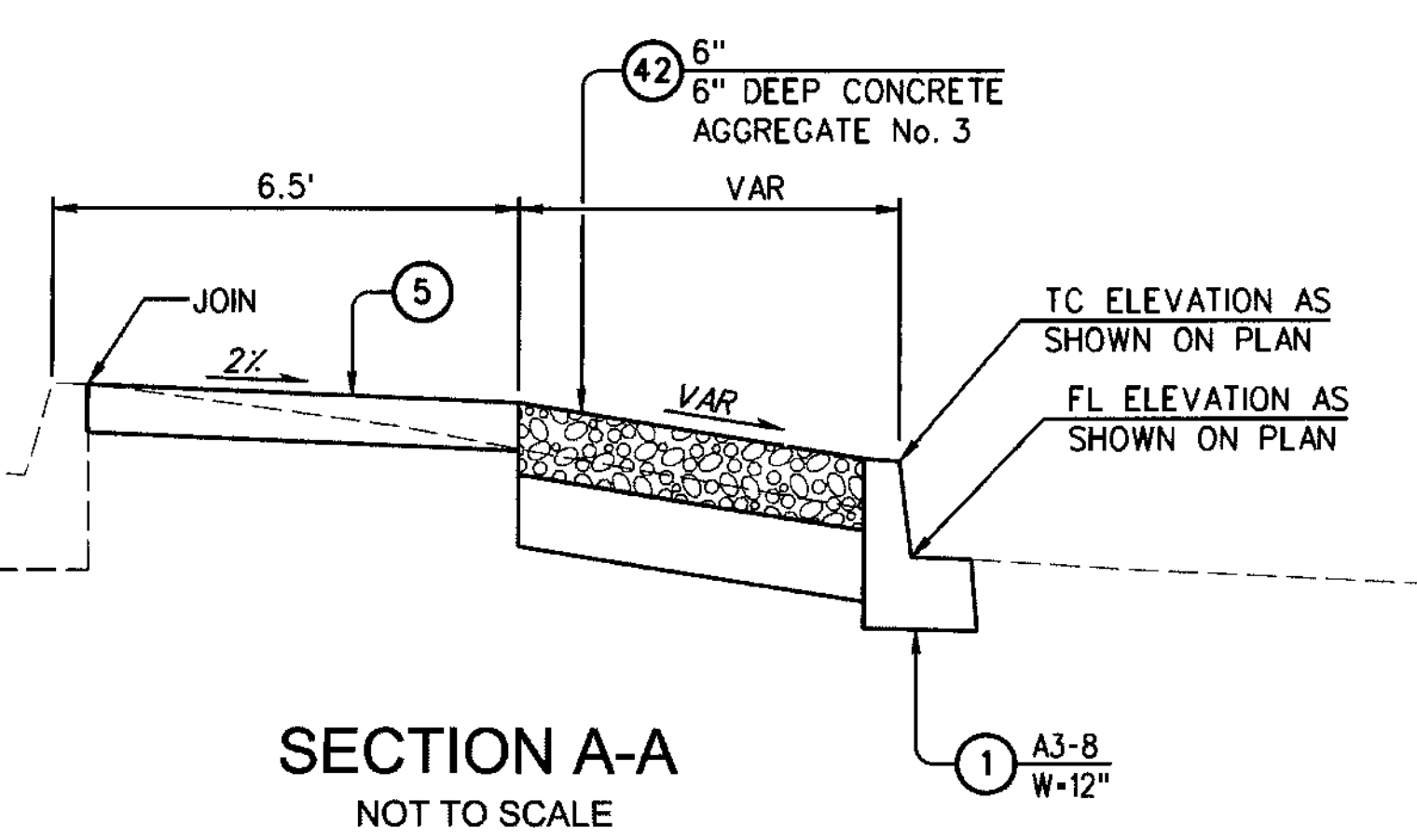


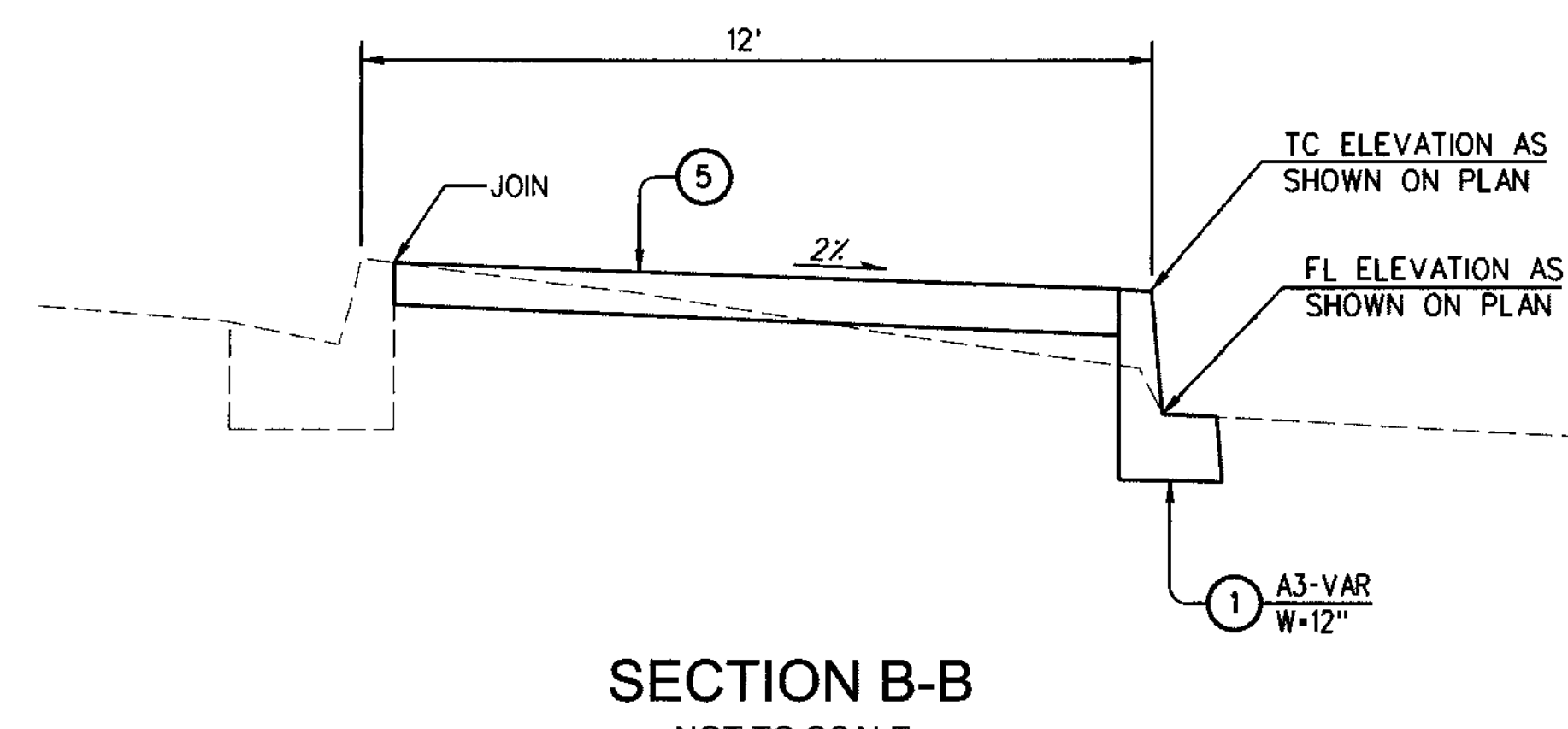
PLAN  
SCALE: 1" = 20'

MATCH LINE STA 14+75  
SEE ABOVE RIGHT

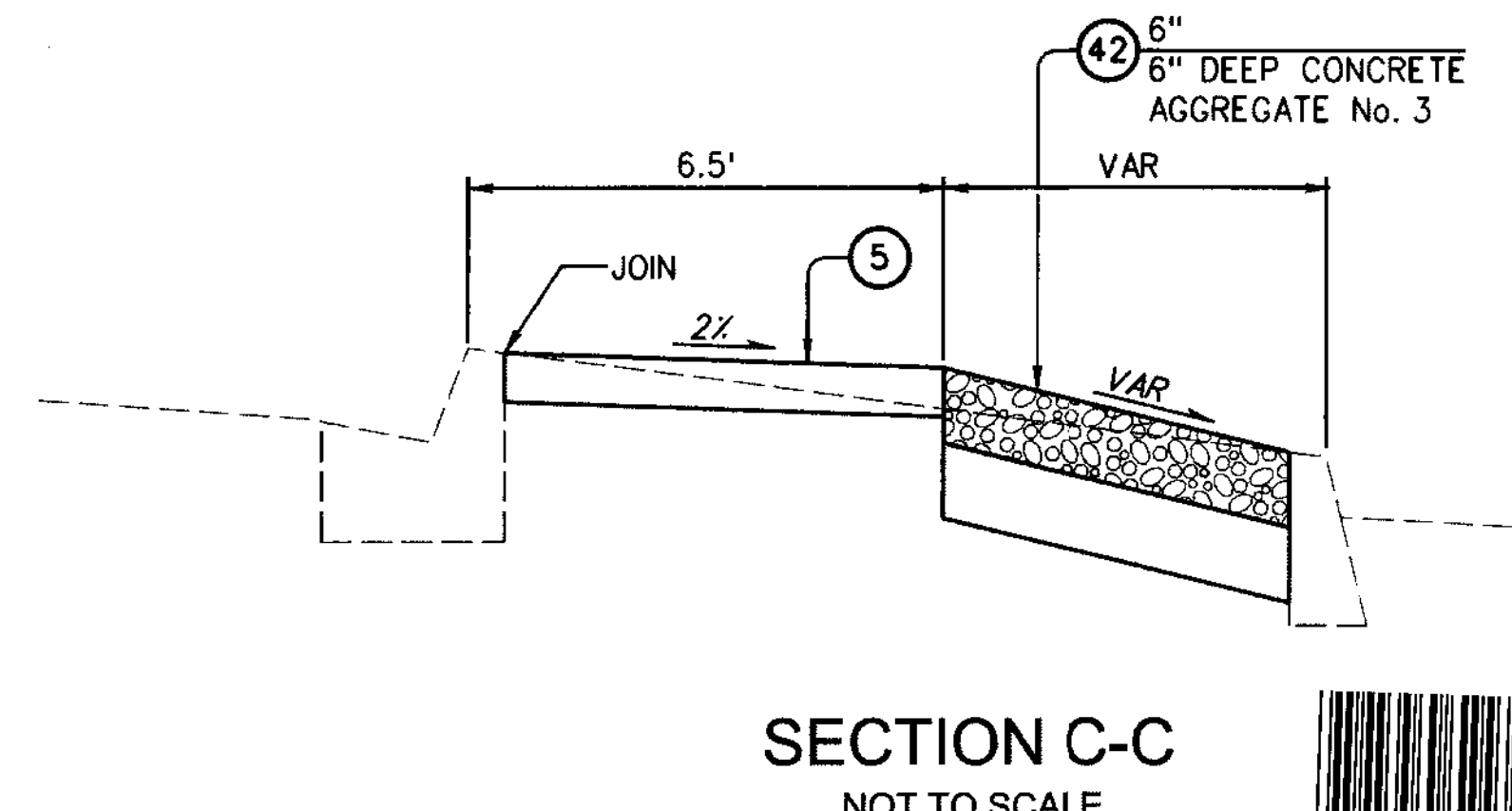
MATCH LINE STA 14+75  
SEE BELOW LEFT



SECTION A-A  
NOT TO SCALE



SECTION B-B  
NOT TO SCALE



SECTION C-C  
NOT TO SCALE

DATE: 11/13/13  
REVIEWED BY: [Signature]  
CADD PROJECT FILE NAME:  
CHECKER: ROY CRUZ  
DESIGNER: THOMAS HO  
DRAFTER: THOMAS HO

**BENCH MARK**  
PWFB 1430 PAGE 1306  
EL 421.134 NAVD'88 (COVINA 2005)  
PG 19  
DPW BM TAG IN E Cb 42.7 N/O BCR @  
NE COR. IRWINDALE AVE & SAN BERNARDINO DR

DATE	MK	DESCRIPTION

REGISTERED PROFESSIONAL ENGINEER  
THOMAS P. HO  
No. C60649  
CIVIL  
STATE OF CALIFORNIA  
PROJECT ENGINEER DATE: 11/13/13

COUNTY OF LOS ANGELES DEPARTMENT OF PUBLIC WORKS  
**BALLENTINE PL, ET AL**  
PLAN & PROFILE  
PROJECT ID NO. RDC0015528  
PCA X91000459 DWG PH082646 SHEET 39 OF 43

