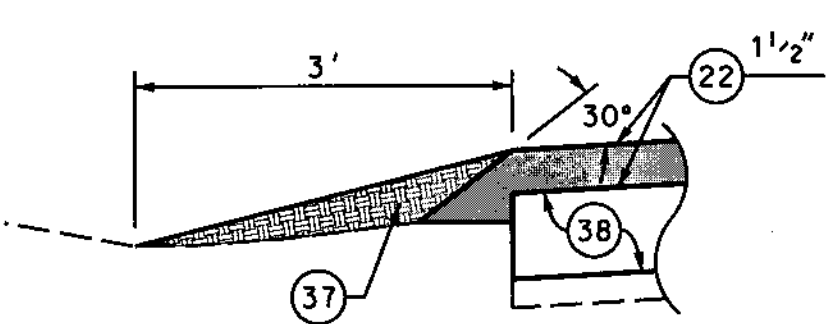
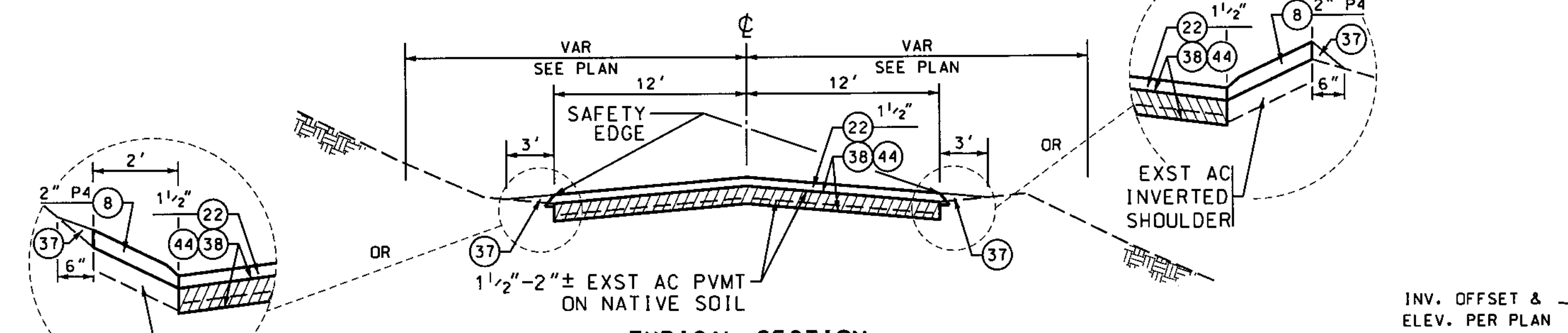


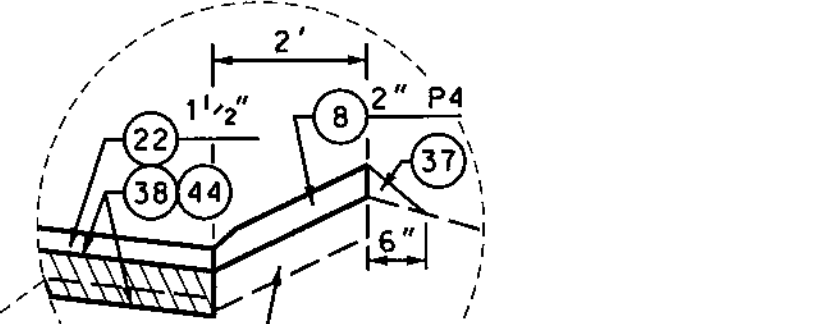
TYPICAL SECTION
NOT TO SCALE
PINE CANYON ROAD
THREE POINTS RD TO STA 1122+70
STA 1126+70 TO STA 1158+70



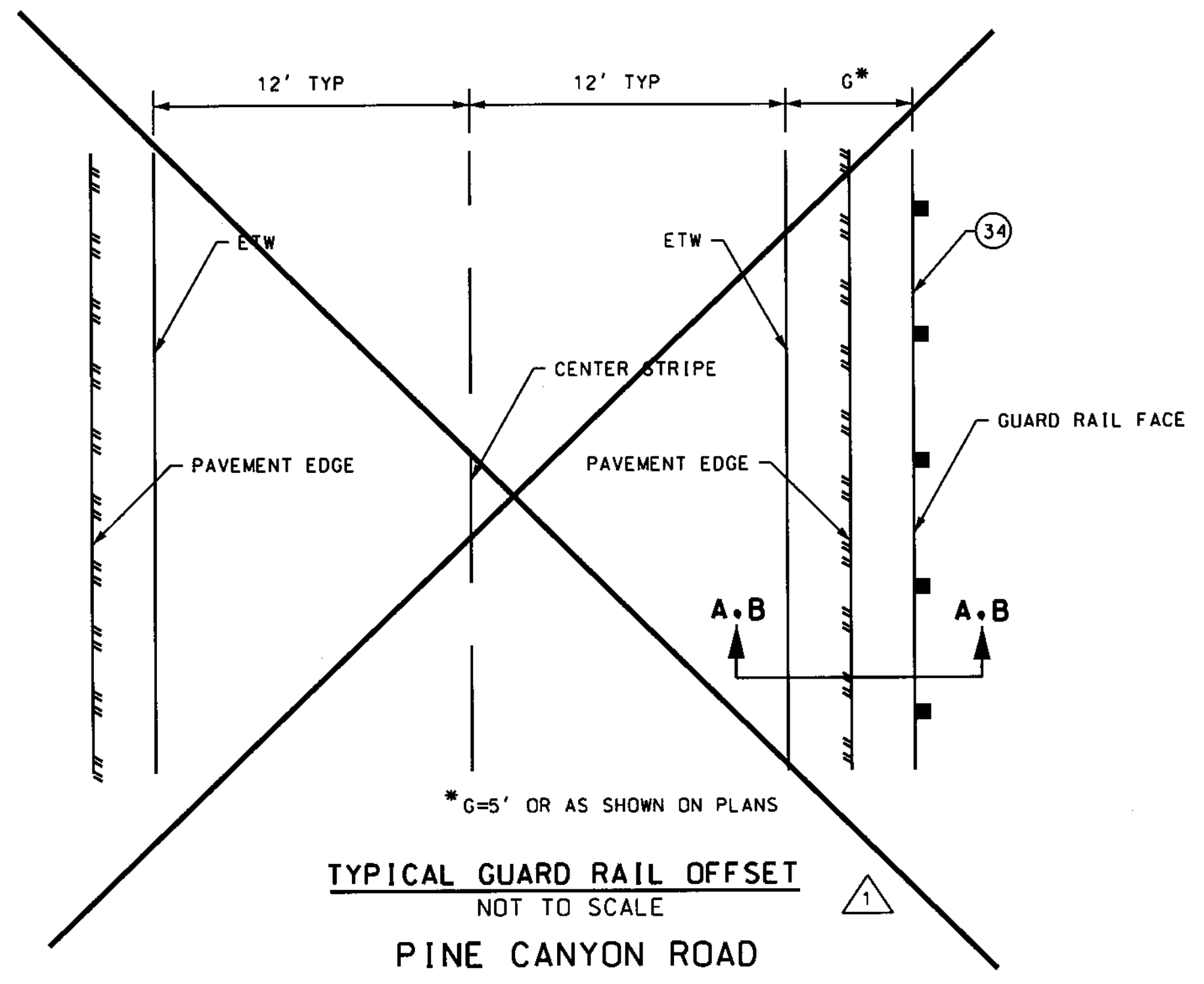
PAVEMENT SAFETY EDGE
NOT TO SCALE



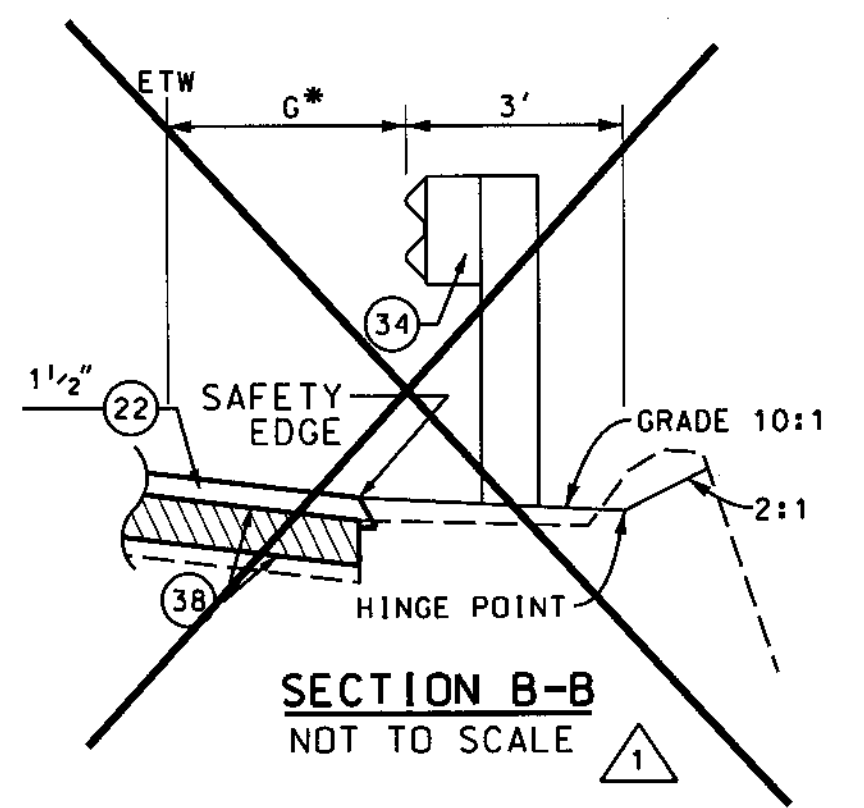
TYPICAL SECTION
NOT TO SCALE
PINE CANYON ROAD
STA 1122+70 TO STA 1126+70
STA 1158+70 TO STA 1162+70



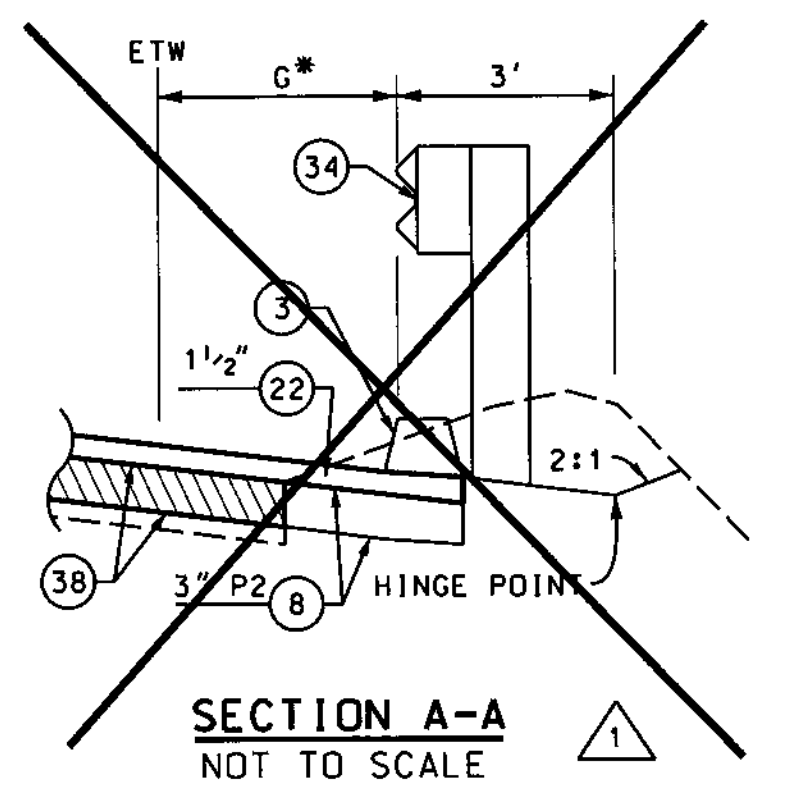
PAVEMENT SAFETY EDGE
NOT TO SCALE



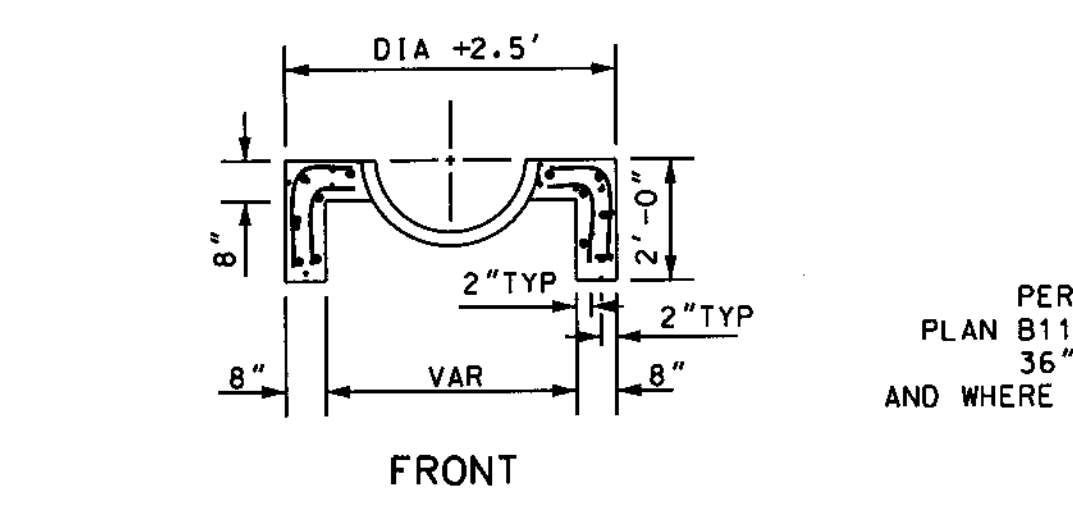
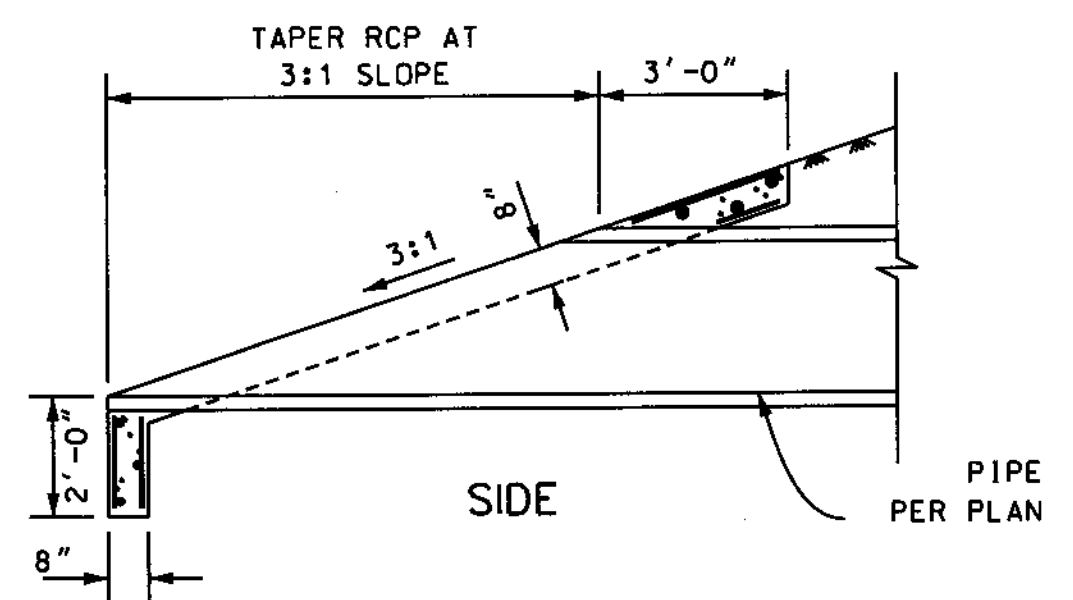
TYPICAL GUARD RAIL OFFSET
NOT TO SCALE
PINE CANYON ROAD



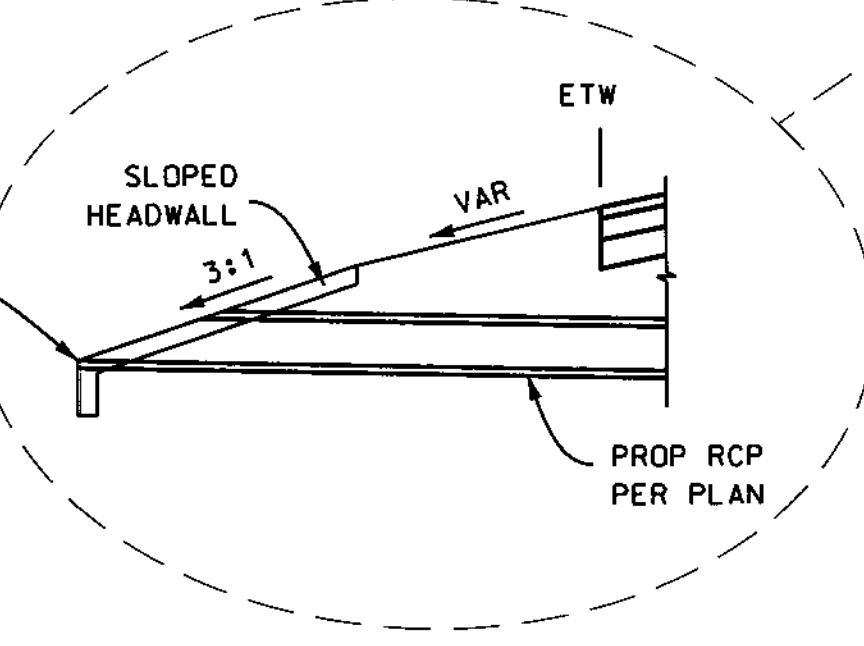
SECTION B-B
NOT TO SCALE



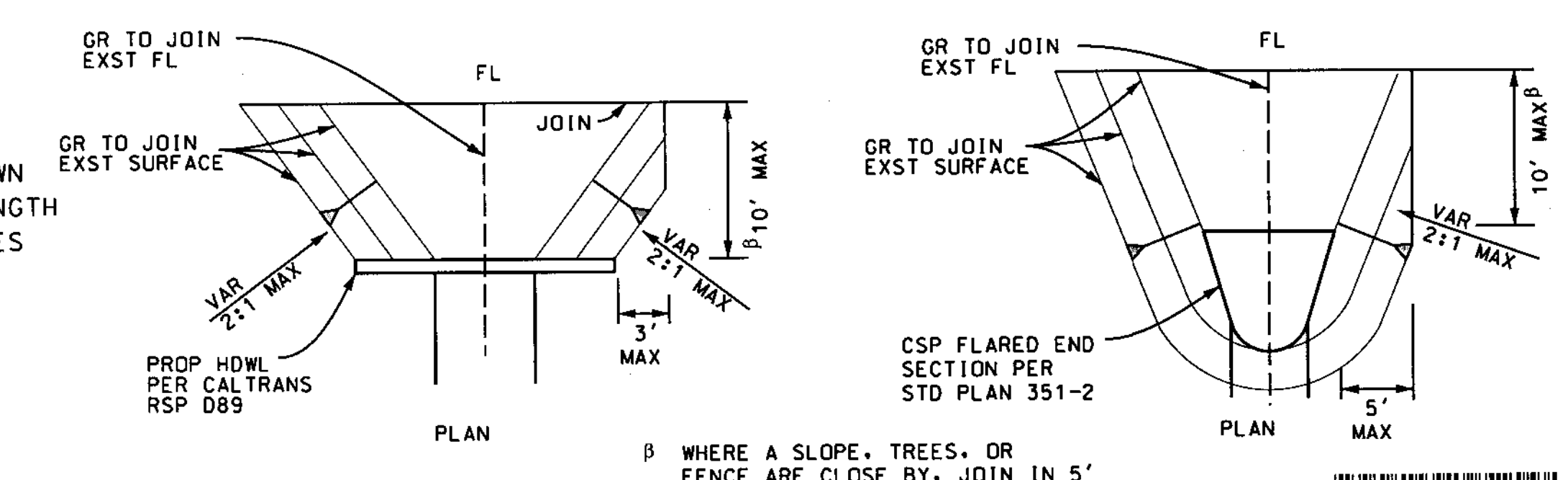
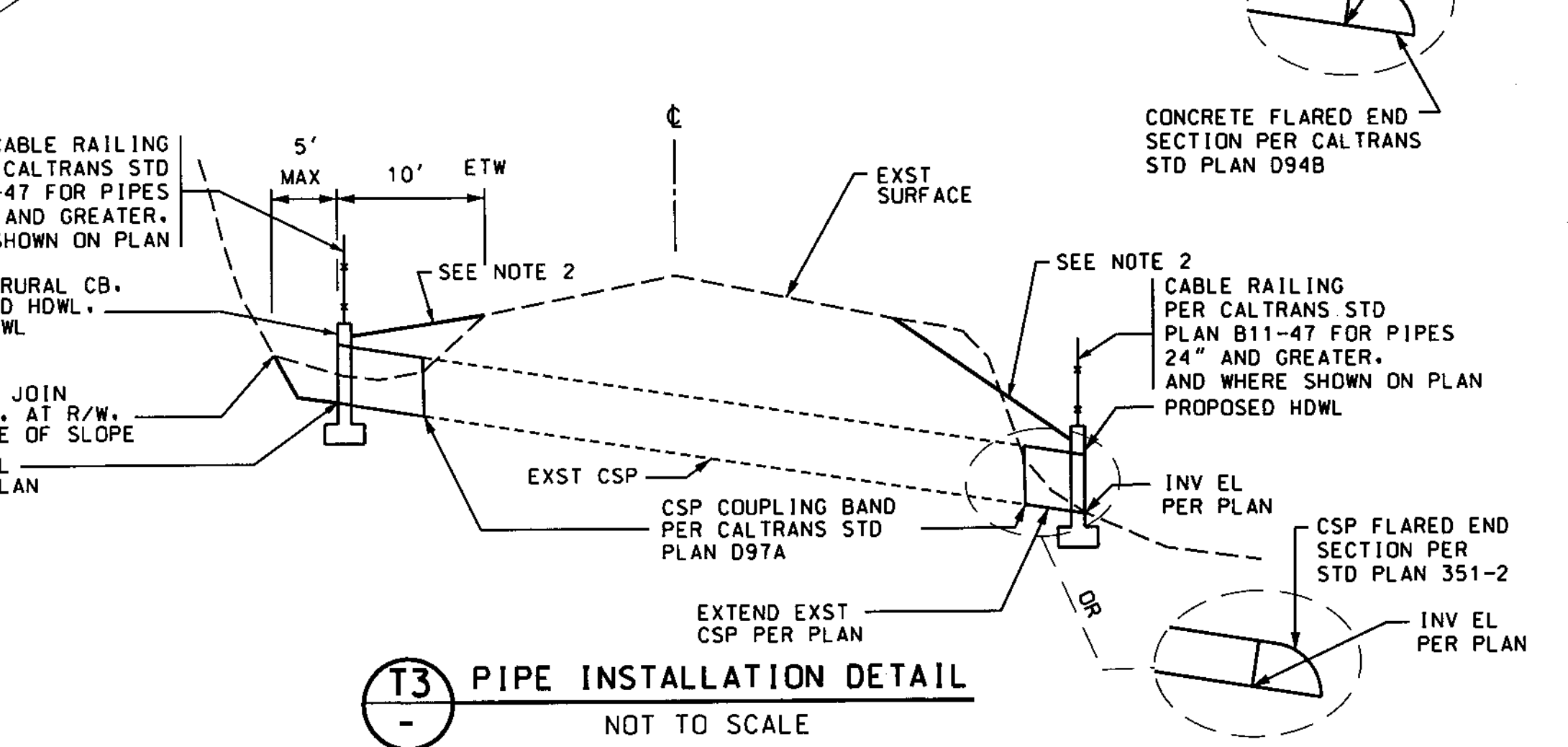
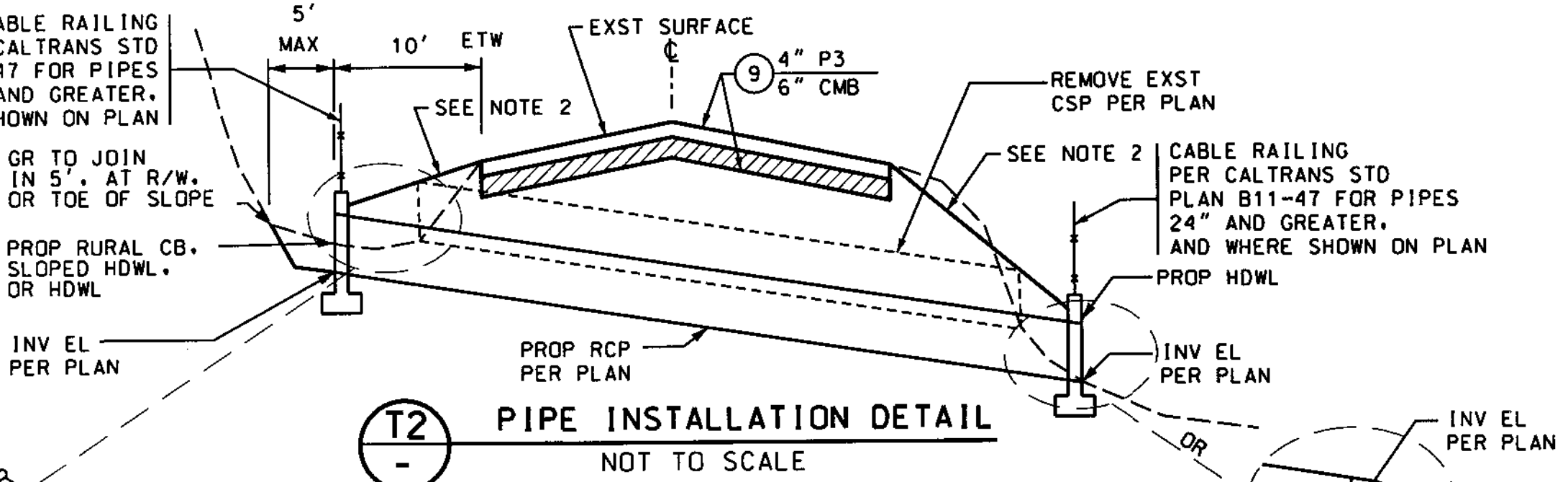
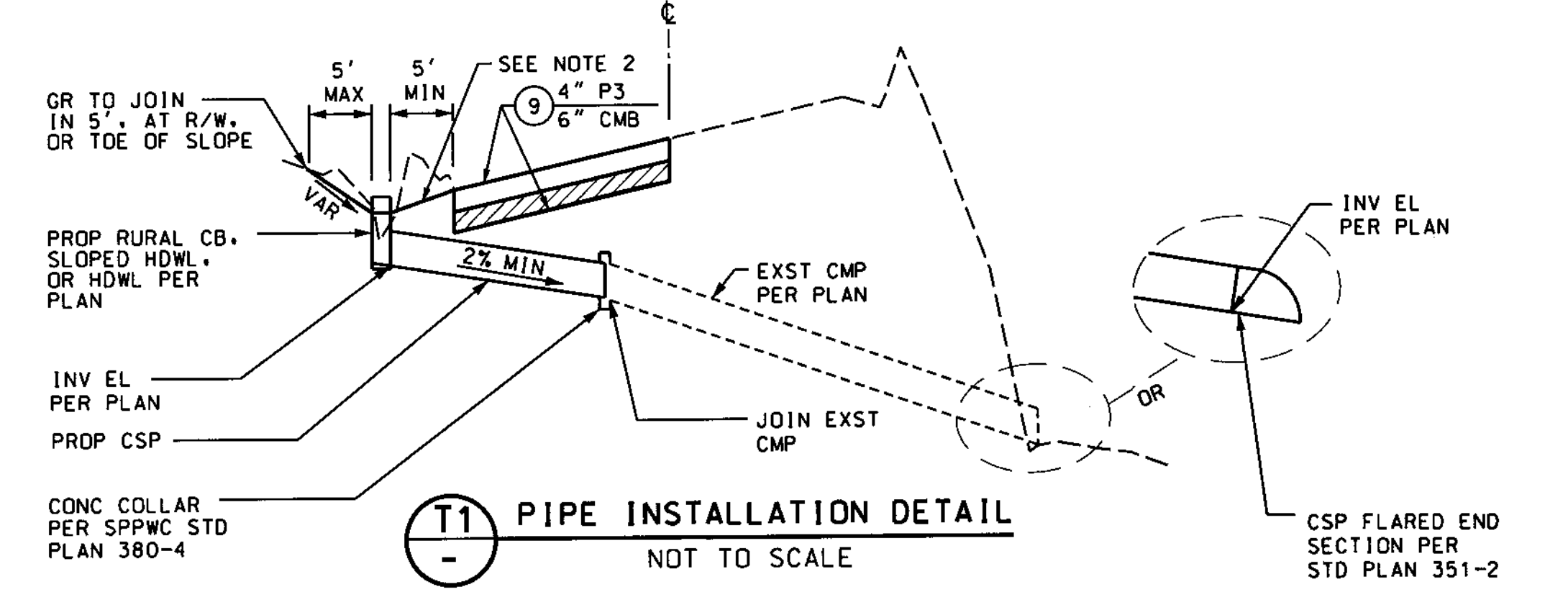
SECTION A-A
NOT TO SCALE



SLOPED HEADWALL DETAIL
NOT TO SCALE



- PIPE INSTALLATION NOTES**
1. ALL PIPE INSTALLATION WORK, INCLUDING PAVEMENT RECONSTRUCTION, SHALL BE PERFORMED PRIOR TO CIRACP OPERATION.
 2. FINAL GRADING OF SHOULDERS SHALL OCCUR AFTER PLACEMENT OF ARHM LAYER.
 3. LENGTH OF CSP EXTENSIONS AND REMOVALS SHOWN ON PLANS ARE APPROXIMATE. A SUFFICIENT LENGTH SHOULD BE ADDED OR REMOVED TO CONNECT PIPES AND CONSTRUCT HEADWALLS PER THE PLANS.



T TYPICAL INLET/ OUTLET GRADING SECTION
NOT TO SCALE

DATE		9/2/14	1	DELETE GUARDRAIL SECTIONS
DESIGNER	MO			
CHECKER	MO			
REVIEWED	BY			
DATE				

REGAN D. FANEY
C 69742
CIVIL
STATE OF CALIFORNIA

COUNTY OF LOS ANGELES DEPARTMENT OF PUBLIC WORKS

PINE CANYON RD, ET AL.

TYPICAL SECTIONS AND DETAILS

PROJECT ID NO. RDC0014131

PCA DWG SHEET 3 OF 16