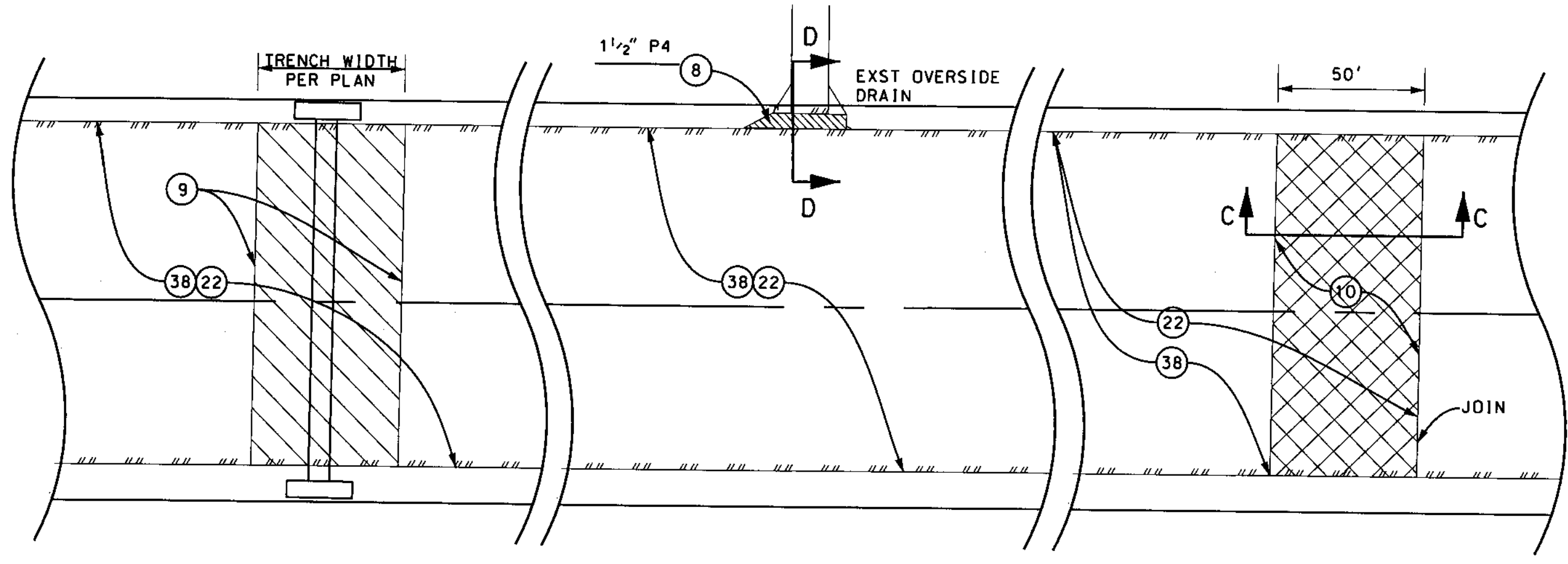
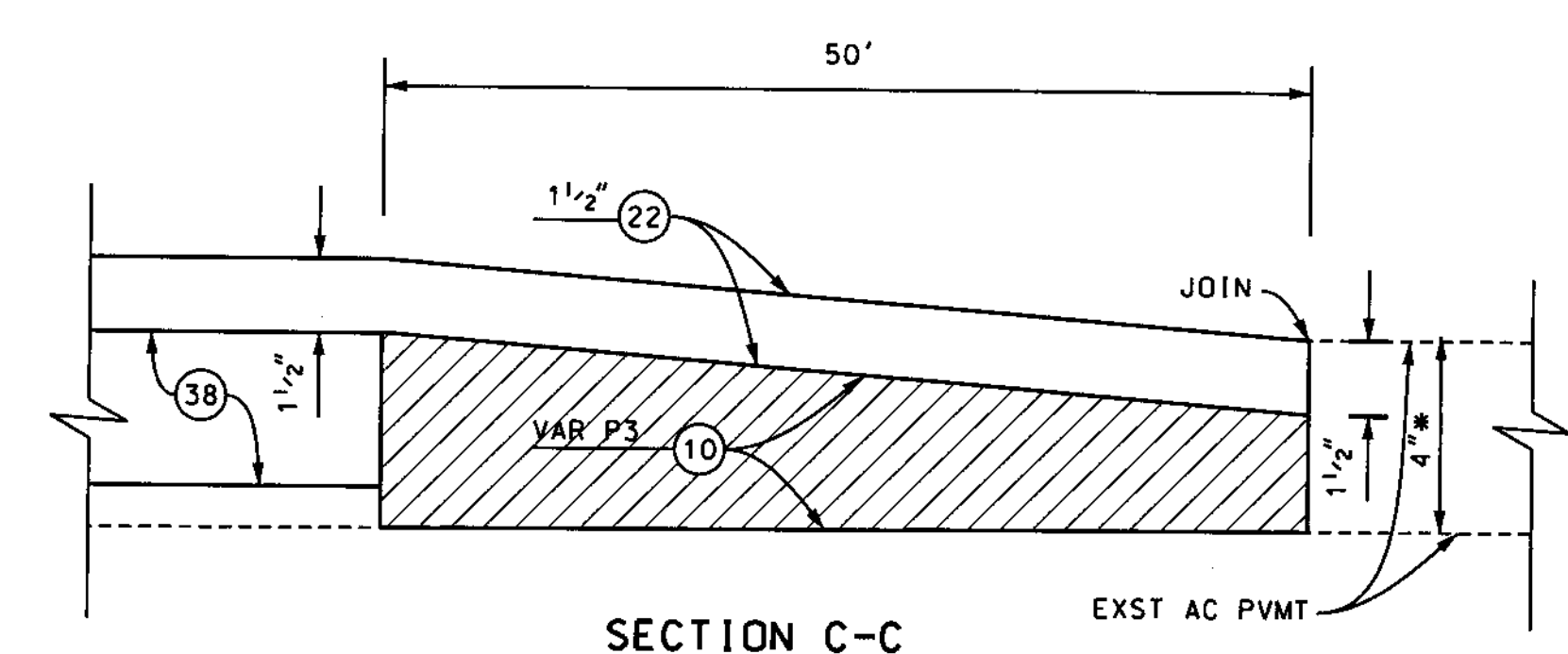


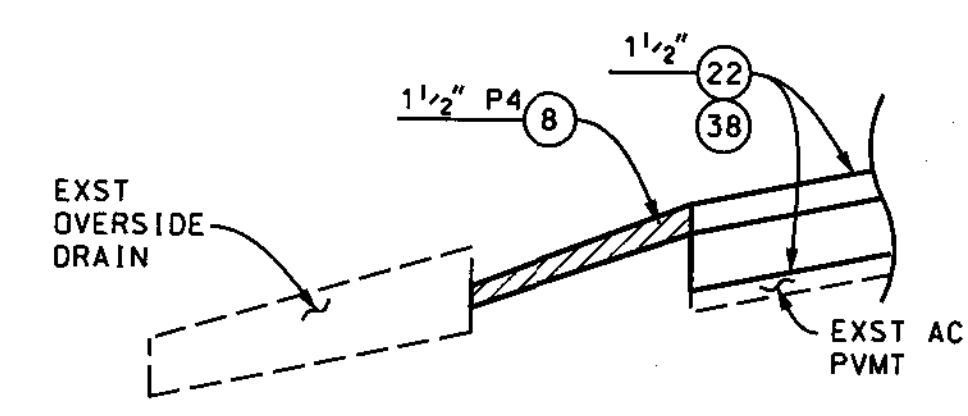
PLAN
NOT TO SCALE



TYPICAL PAVING PLAN DETAIL - PINE CANYON ROAD
NOT TO SCALE



SECTION C-C
NOT TO SCALE

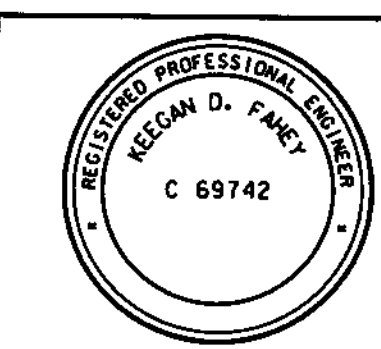


SECTION D-D
NOT TO SCALE



DATE
REVIEWED BY
CADD PROJECT FILE NAME
RDC0014131.dgn
CHECKER
MO
DESIGNER
KF
DRAFTER
KF

DATE	BY	DESCRIPTION
9/2/14	1	DELETE GUARDRAIL WORK ON PEACE VALLEY RD PER TRAFFIC ENGINEERING REPORT DATED 8-14-14
		REVISIONS



COUNTY OF LOS ANGELES DEPARTMENT OF PUBLIC WORKS

PINE CANYON RD, ET AL.
PAVING DETAILS AND
PEACE VALLEY RD GUARD RAIL INSTALLATION
PROJECT ID NO. RDC0014131

PCA DWG SHEET 4 OF 16