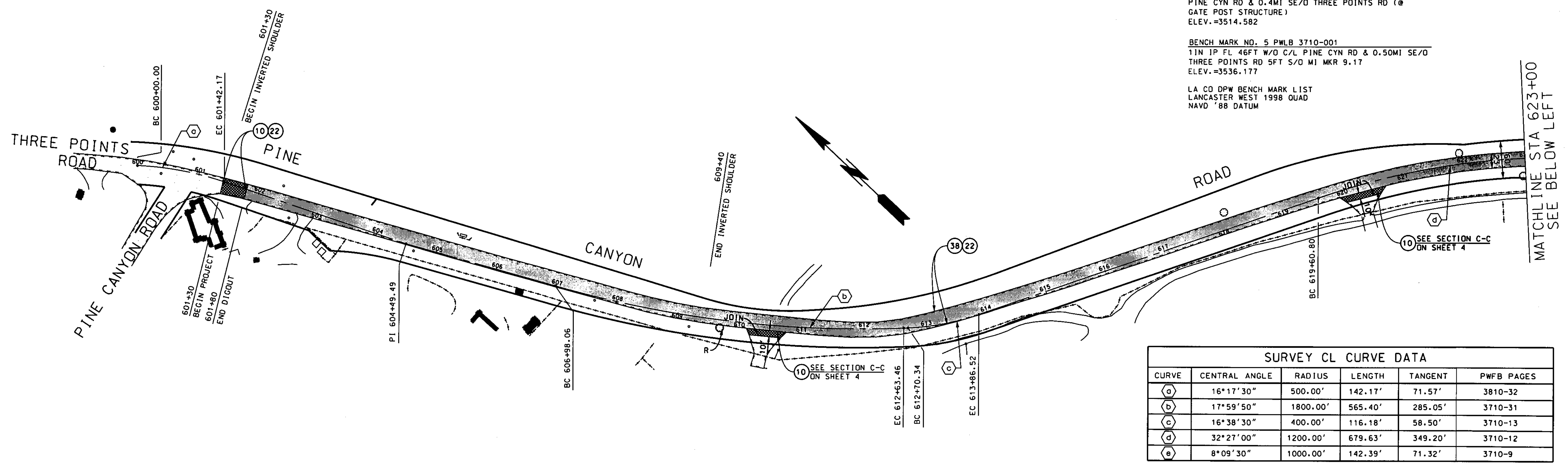


BENCH MARK NO. 4 PWLB 3710-001  
 CHIS 50 IN S END CONC FENCE TRACK 48FT W/O C/L  
 PINE CYN RD & 0.4MI SE/O THREE POINTS RD (G  
 GATE POST STRUCTURE)  
 ELEV.=3514.582

BENCH MARK NO. 5 PWLB 3710-001  
 11N 1P FL 46FT W/O C/L PINE CYN RD & 0.50MI SE/O  
 THREE POINTS RD 5FT S/O MI MKR 9.17  
 ELEV.=3536.177

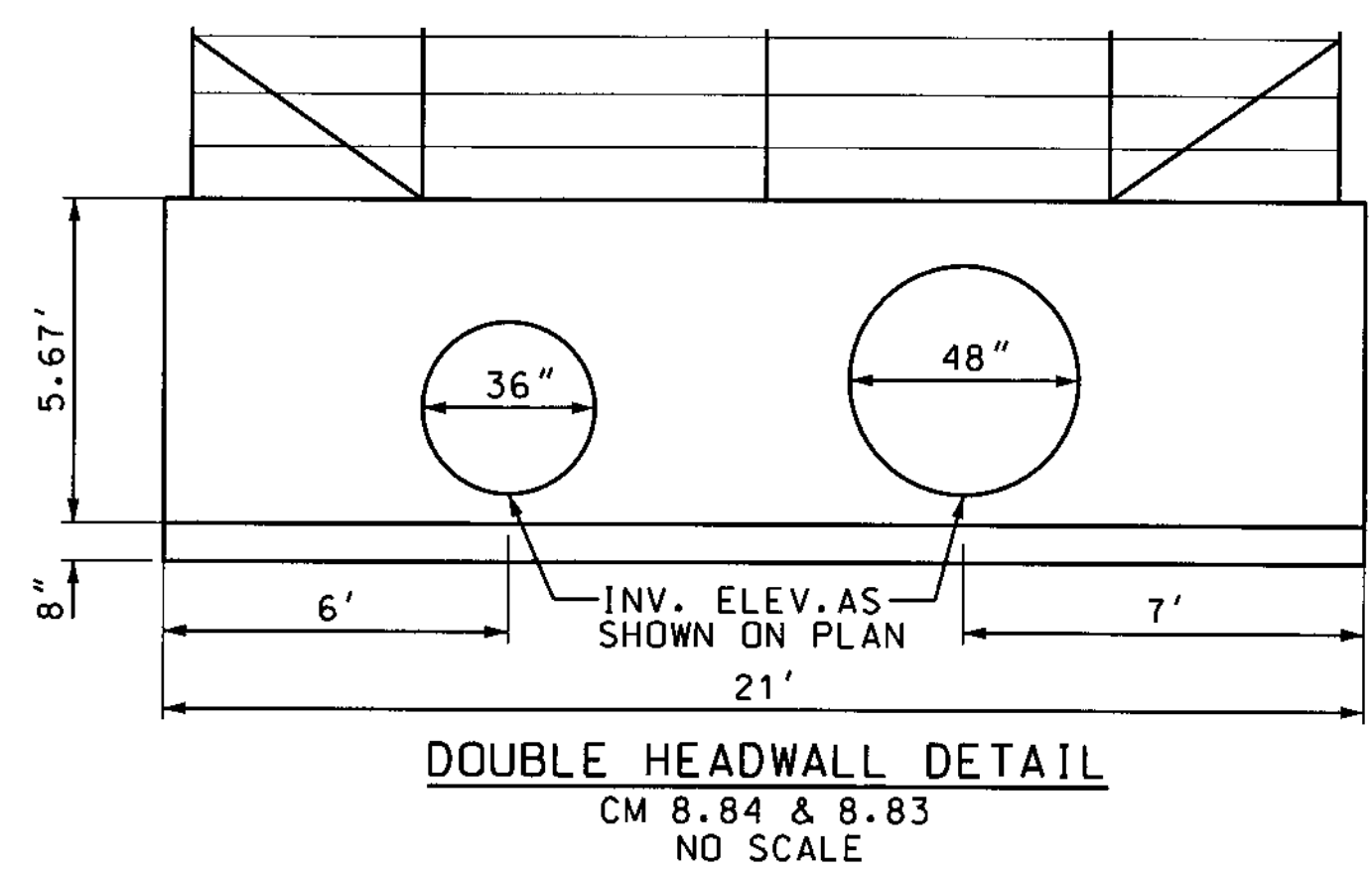
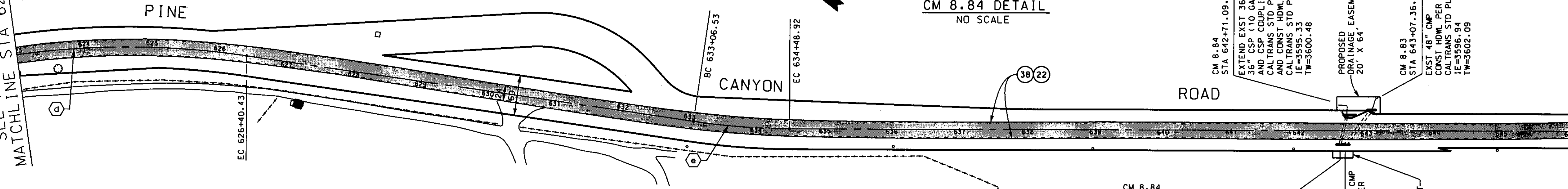
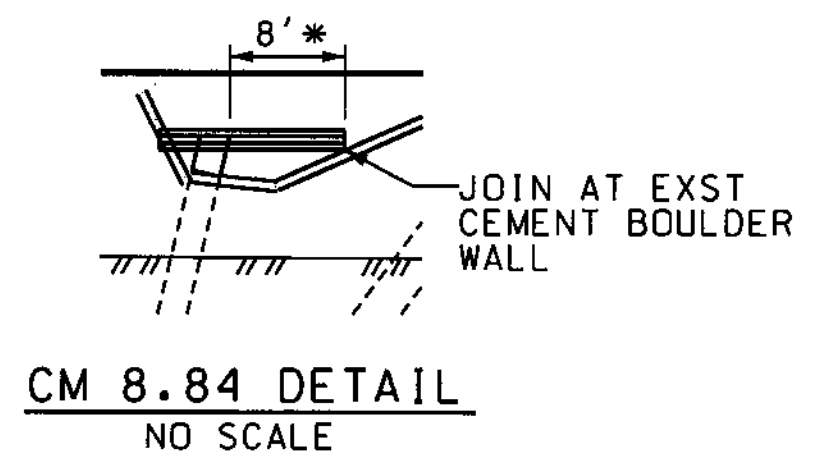
LA CO DPW BENCH MARK LIST  
 LANCASTER WEST 1998 OUAID  
 NAVD '88 DATUM



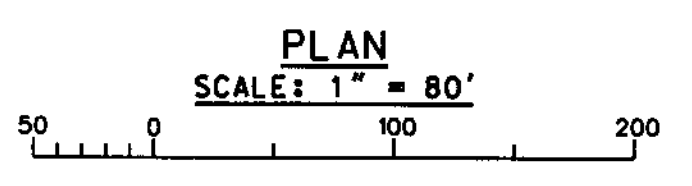
SURVEY CL CURVE DATA					
CURVE	CENTRAL ANGLE	RADIUS	LENGTH	TANGENT	PWFB PAGES
(a)	16°17'30"	500.00'	142.17'	71.57'	3810-32
(b)	17°59'50"	1800.00'	565.40'	285.05'	3710-31
(c)	16°38'30"	400.00'	116.18'	58.50'	3710-13
(d)	32°27'00"	1200.00'	679.63'	349.20'	3710-12
(e)	8°09'30"	1000.00'	142.39'	71.32'	3710-9

SEE ABOVE RIGHT  
 MATCHLINE STA 623+00

MATCHLINE STA 646+00  
 SEE SHEET 6

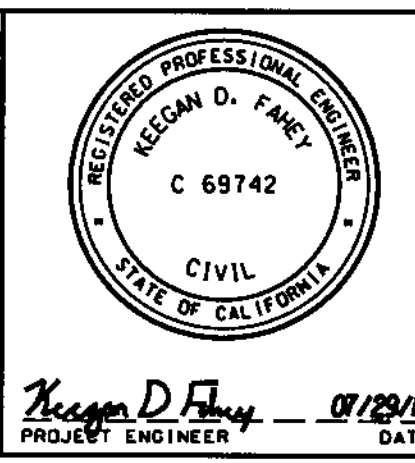


- (18) CM 8.84 STA 642+60.59, 20.94' RT  
 EXTEND EXST 36" CMP 3.1' WITH 36" CSP (110 GA) AND CSP COUPLING PER CALTRANS STD PLAN D97A AND CONST DOUBLE HDWL PER CALTRANS STD PLAN D89 IE=3594.26 TW=3599.40
- (13) CM 8.83 STA 642+68.52, 20.94' RT  
 REMOVE 9.5' OF EXST 48" CMP AND CONST DOUBLE HDWL PER CALTRANS STD PLAN D89 IE=3594.26 TW=3599.40
- (3) CM 8.84 STA 642+71.09, 23.42' LT  
 EXTEND EXST 36" CMP 4.4' WITH 36" CSP (110 GA) AND CSP COUPLING PER CALTRANS STD PLAN D97A AND CONST HDWL PER CALTRANS STD PLAN D89, L=14' TW=3600.48
- (46) (45) (18) (13) (3) CM 8.83 STA 643+07.36, 31.00' LT  
 EXST 48" CMP CONST HDWL PER CALTRANS STD PLAN D89 IE=3596.94 TW=3602.09



DATE	REVIEWED BY
CADD PROJECT FILE NAME RDC0014131.dgn	CHECKER MO
DESIGNER MO	DRAFTER KF

DATE	MK	DESCRIPTION
REVISIONS		



COUNTY OF LOS ANGELES DEPARTMENT OF PUBLIC WORKS

**PINE CANYON RD, ET AL.**  
 THREE POINTS ROAD TO STA 646+00  
 PLAN

PROJECT ID NO. RDC0014131

DATE: 07/29/15  
 PROJECT ENGINEER: Megan D. Fany

PCA DWG SHEET 5 OF 16

