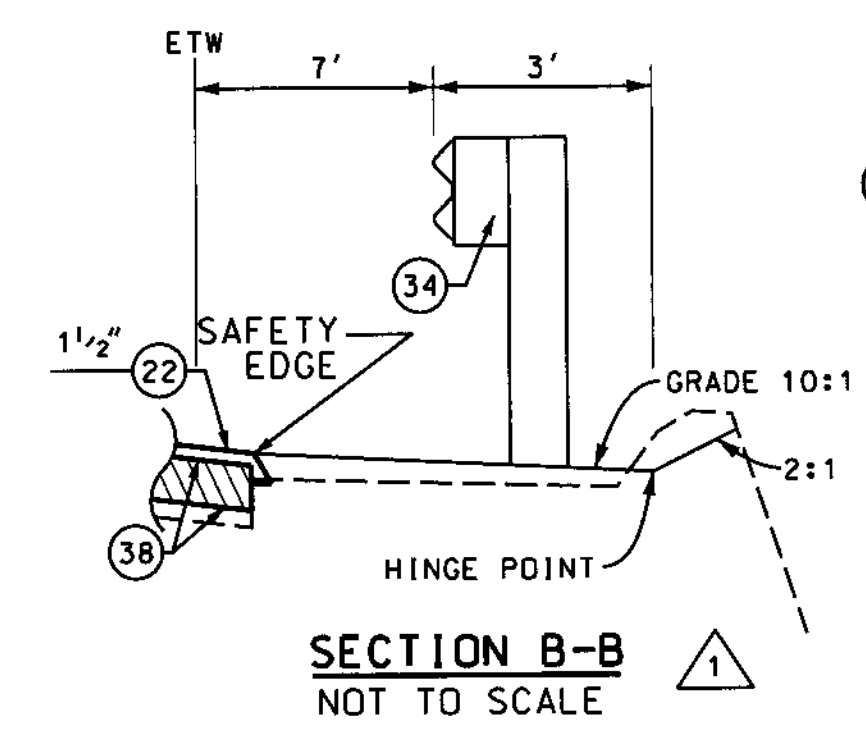
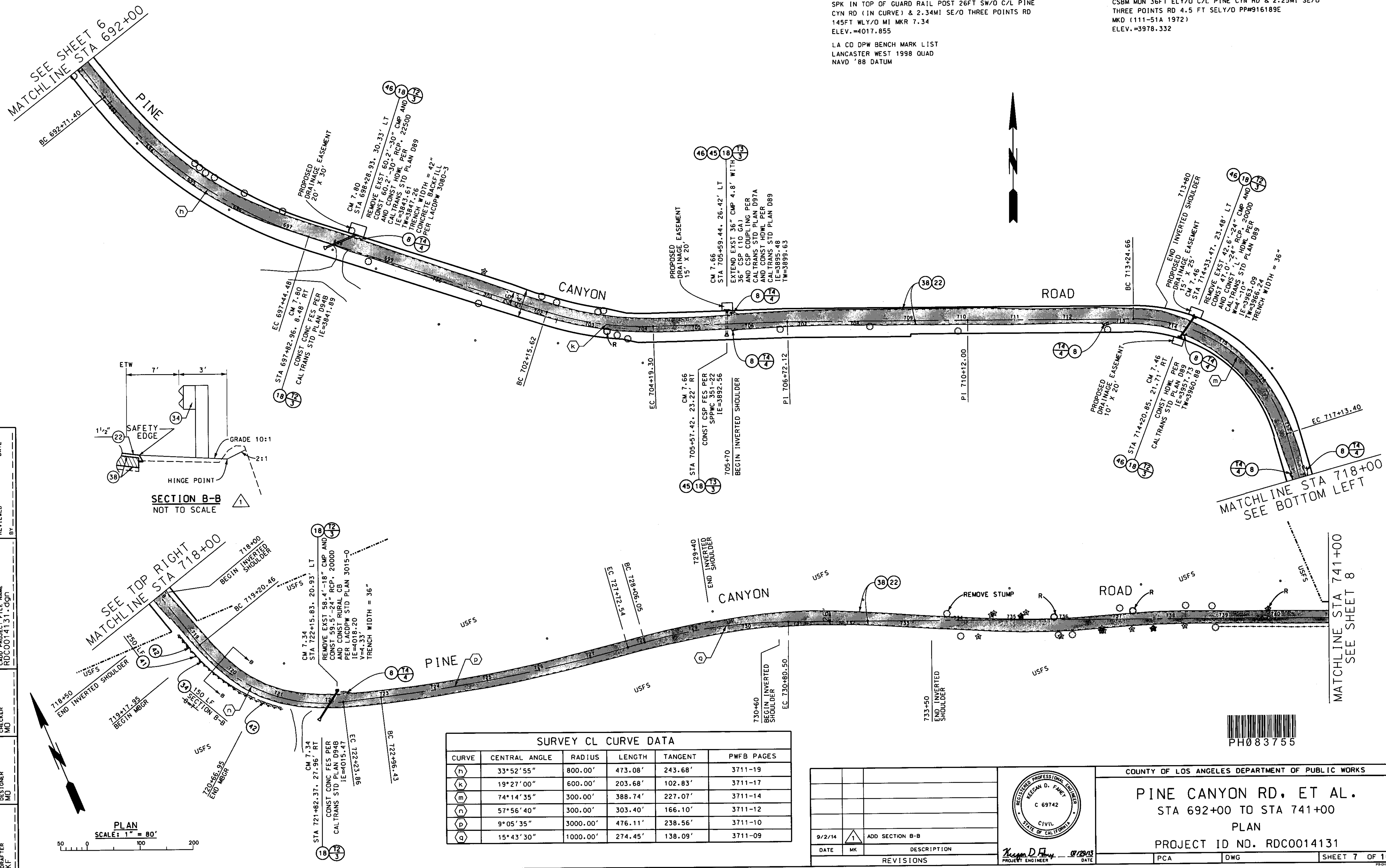


BENCH MARK NO. 18 PwLB 3711 0002  
 SPK IN TOP OF GUARD RAIL POST 26FT SW/O C/L PINE  
 CYN RD (IN CURVE) & 2.34MI SE/O THREE POINTS RD  
 145FT WLY/O MI MKR 7.34  
 ELEV. =4017.855  
 LA CO DPW BENCH MARK LIST  
 LANCASTER WEST 1998 QUAD  
 NAVD '88 DATUM

BENCH MARK NO. 111-51A PwLB 3711 0002  
 CSBM MON 36FT ELY/O C/L PINE CYN RD & 2.25MI SE/O  
 THREE POINTS RD 4.5 FT SELY/O PP#916189E  
 MKD (111-51A 1972)  
 ELEV. =3978.332



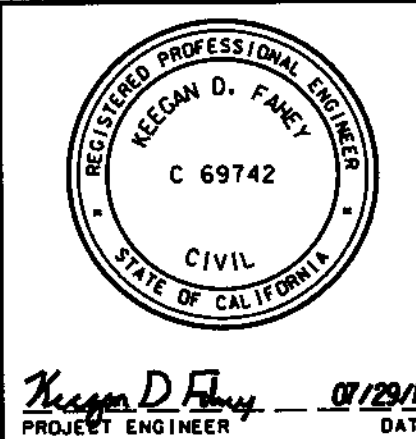
SURVEY CL CURVE DATA					
CURVE	CENTRAL ANGLE	RADIUS	LENGTH	TANGENT	PWFB PAGES
(H)	33°52'55"	800.00'	473.08'	243.68'	3711-19
(K)	19°27'00"	600.00'	203.68'	102.83'	3711-17
(M)	74°14'35"	300.00'	388.74'	227.07'	3711-14
(N)	57°56'40"	300.00'	303.40'	166.10'	3711-12
(P)	9°05'35"	3000.00'	476.11'	238.56'	3711-10
(Q)	15°43'30"	1000.00'	274.45'	138.09'	3711-09

DATE \_\_\_\_\_  
 REVIEWED BY \_\_\_\_\_  
 CHECKER MD \_\_\_\_\_  
 DESIGNER MD \_\_\_\_\_  
 DRAFTER KF \_\_\_\_\_

PLAN  
 SCALE: 1" = 80'  
 50 100 200



DATE	MK	DESCRIPTION
9/2/14	1	ADD SECTION B-B
REVISIONS		



COUNTY OF LOS ANGELES DEPARTMENT OF PUBLIC WORKS  
**PINE CANYON RD., ET AL.**  
 STA 692+00 TO STA 741+00  
 PLAN  
 PROJECT ID NO. RDC0014131  
 PCA DWG SHEET 7 OF 16