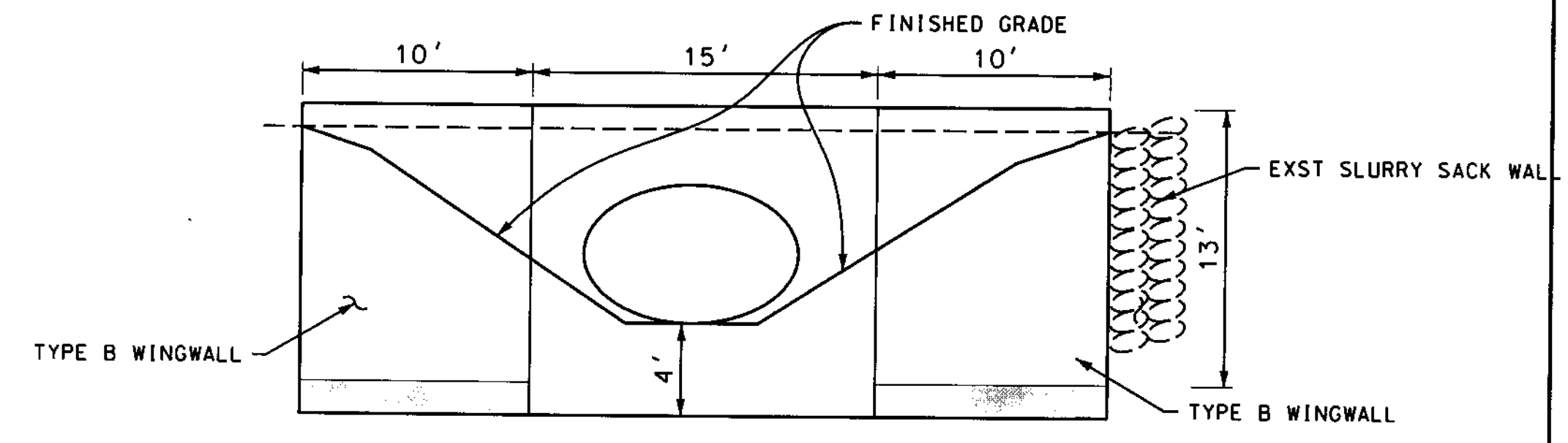
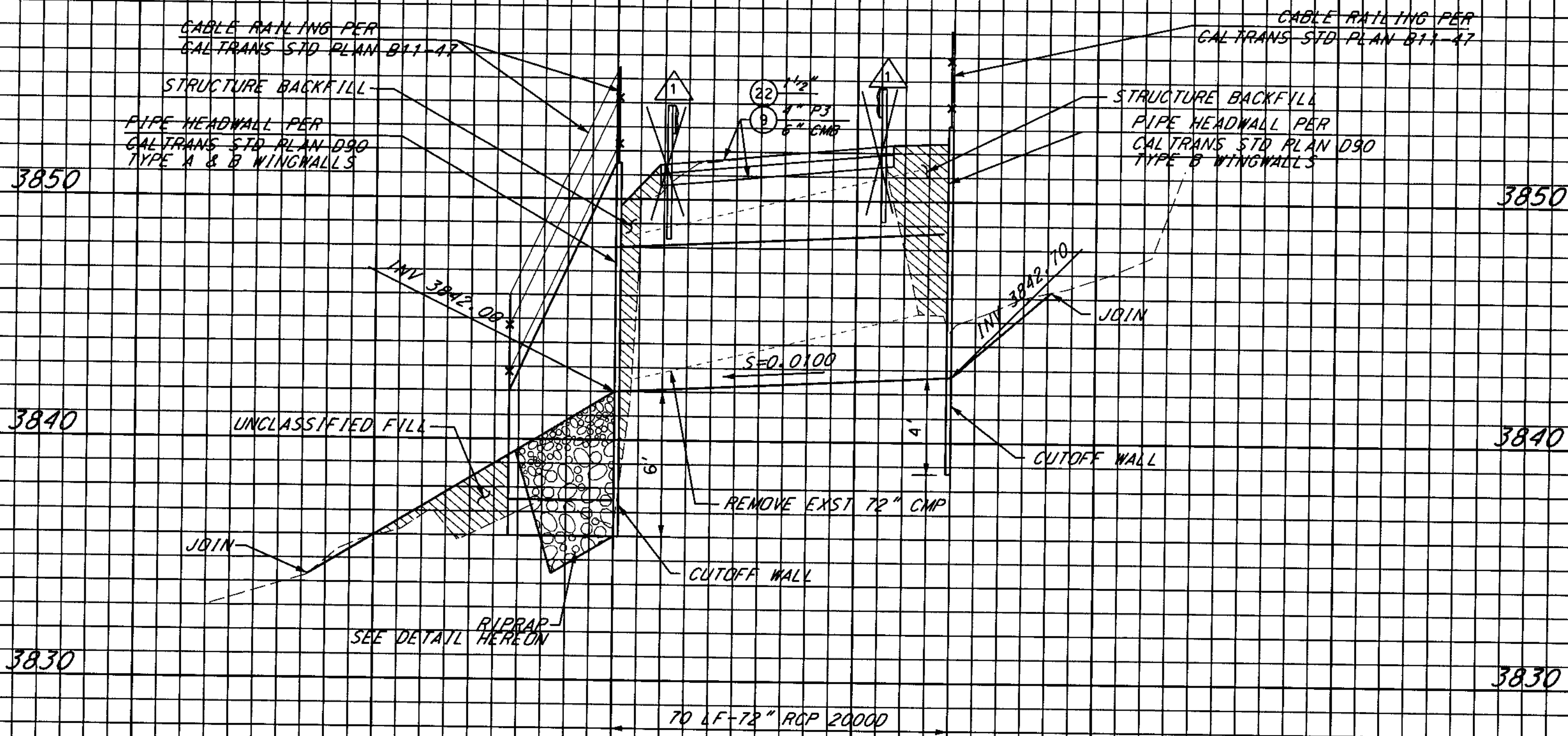
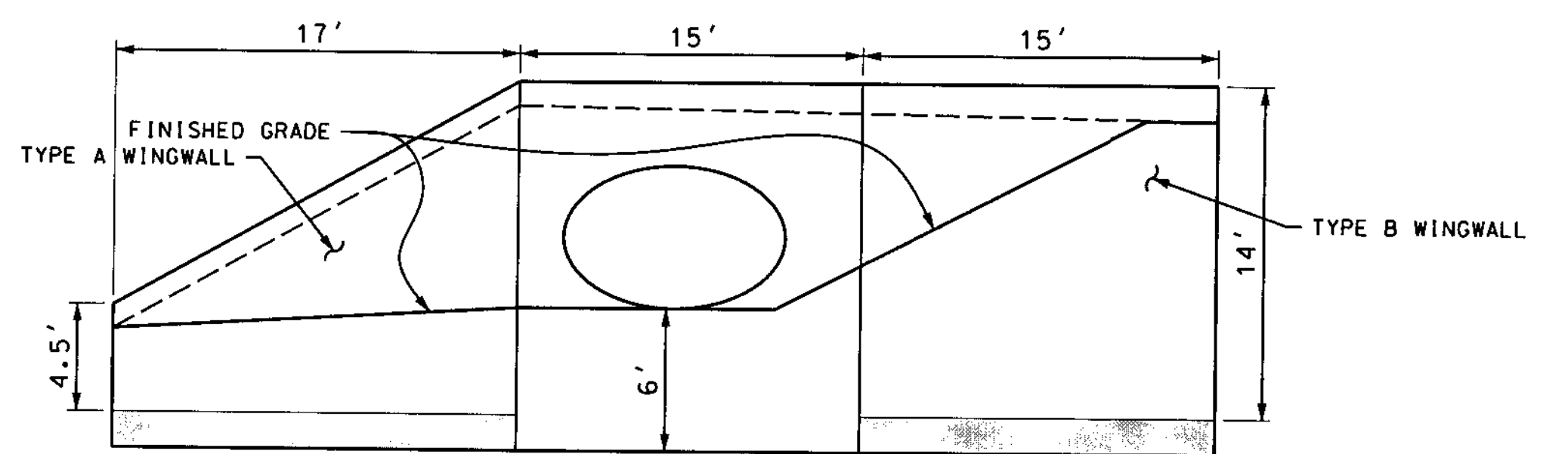


SCALE: HOR. 1" = 20'
VERT. 1" = 4'

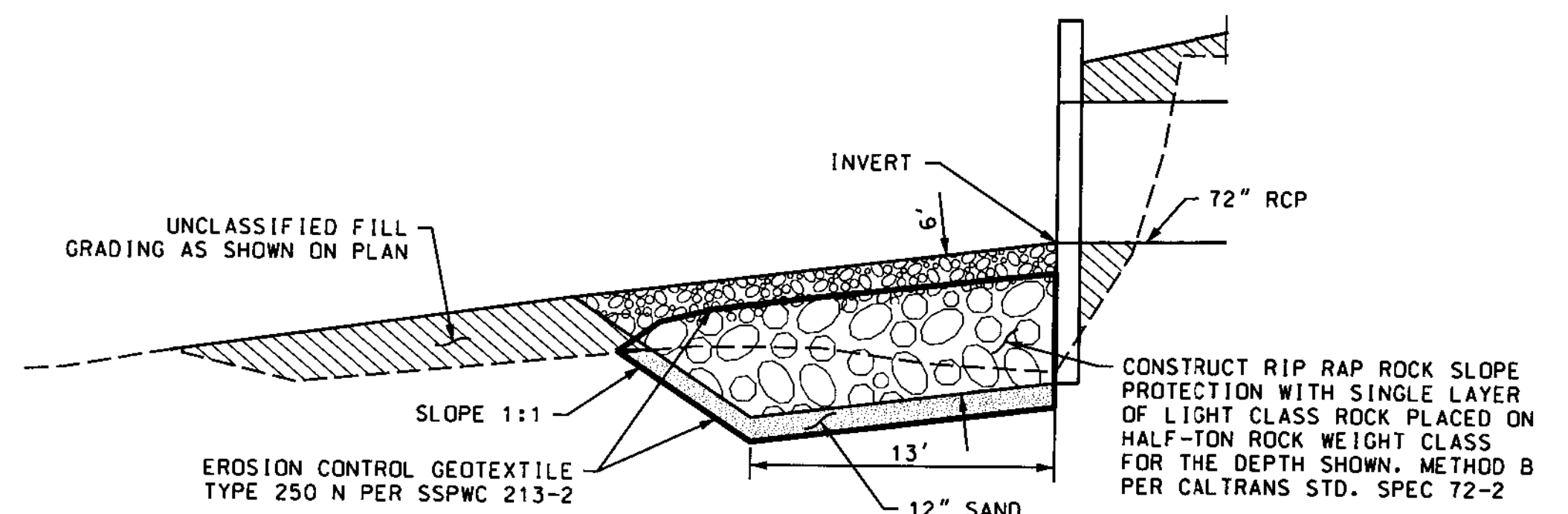


CABLE RAILING PER CALTRANS STD PLAN B11-47 NOT SHOWN FOR CLARITY
**FRONT VIEW
INLET HEADWALL AND WINGWALLS**
NOT TO SCALE

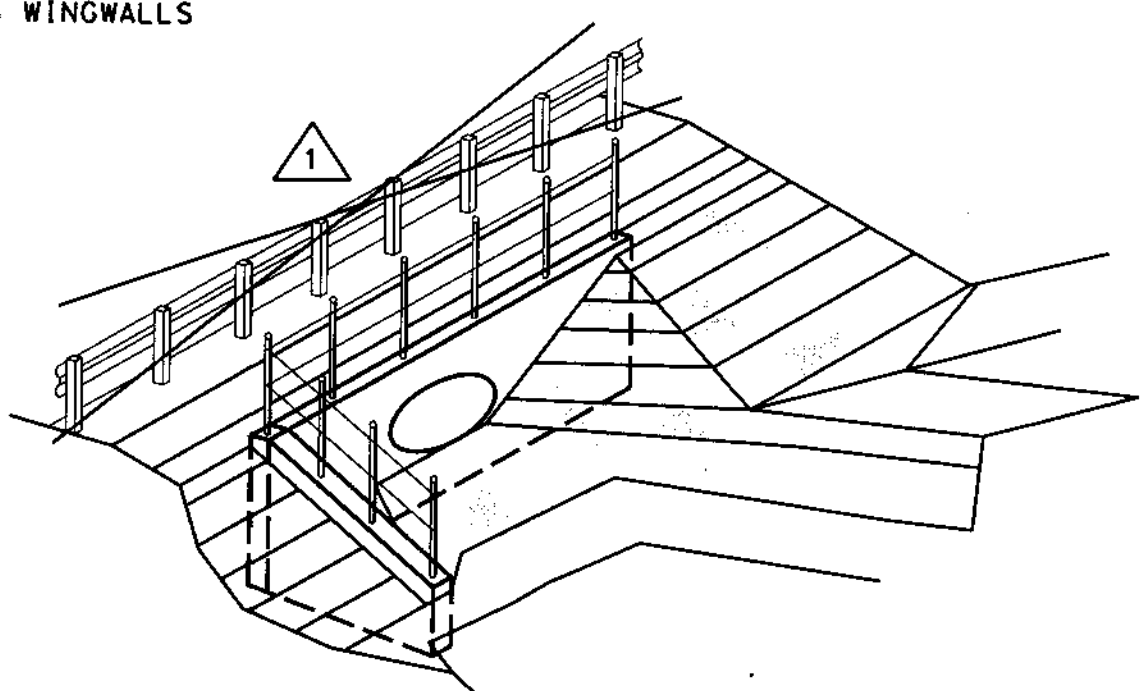


CABLE RAILING PER CALTRANS STD PLAN B11-47 NOT SHOWN FOR CLARITY
**FRONT VIEW
OUTLET HEADWALL AND WINGWALLS**
NOT TO SCALE

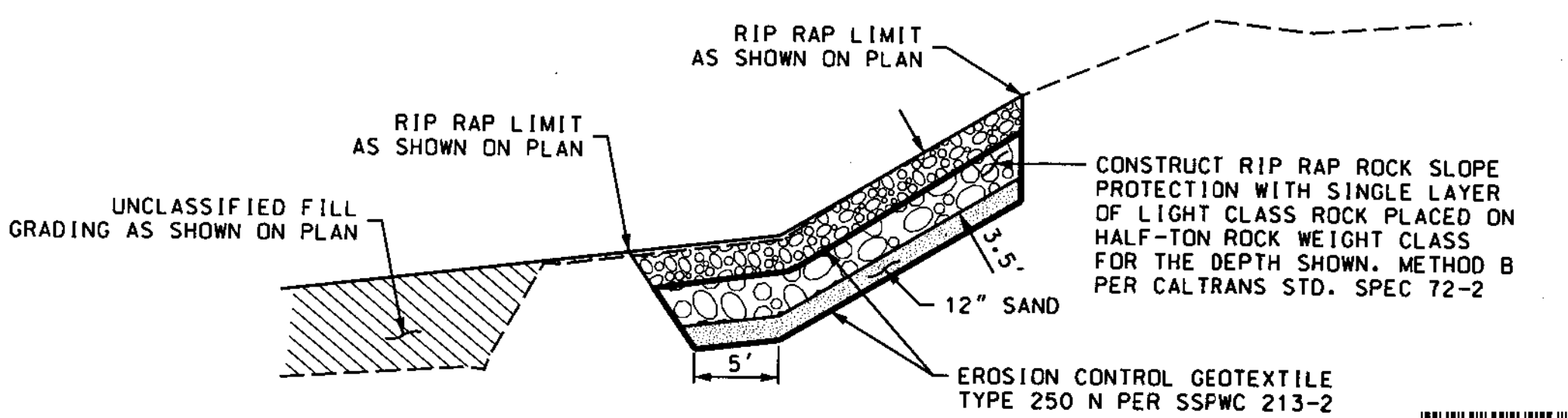
BENCH MARK NO. TP#18 PWF 3613 0136
SPK & W IN AC DRAIN ON NORTH SIDE OF
PINE CYN RD @ MM 3.90
ELEV. = 3850.275
LANCASTER WEST 1998 QUAD
NAVD '88 DATUM



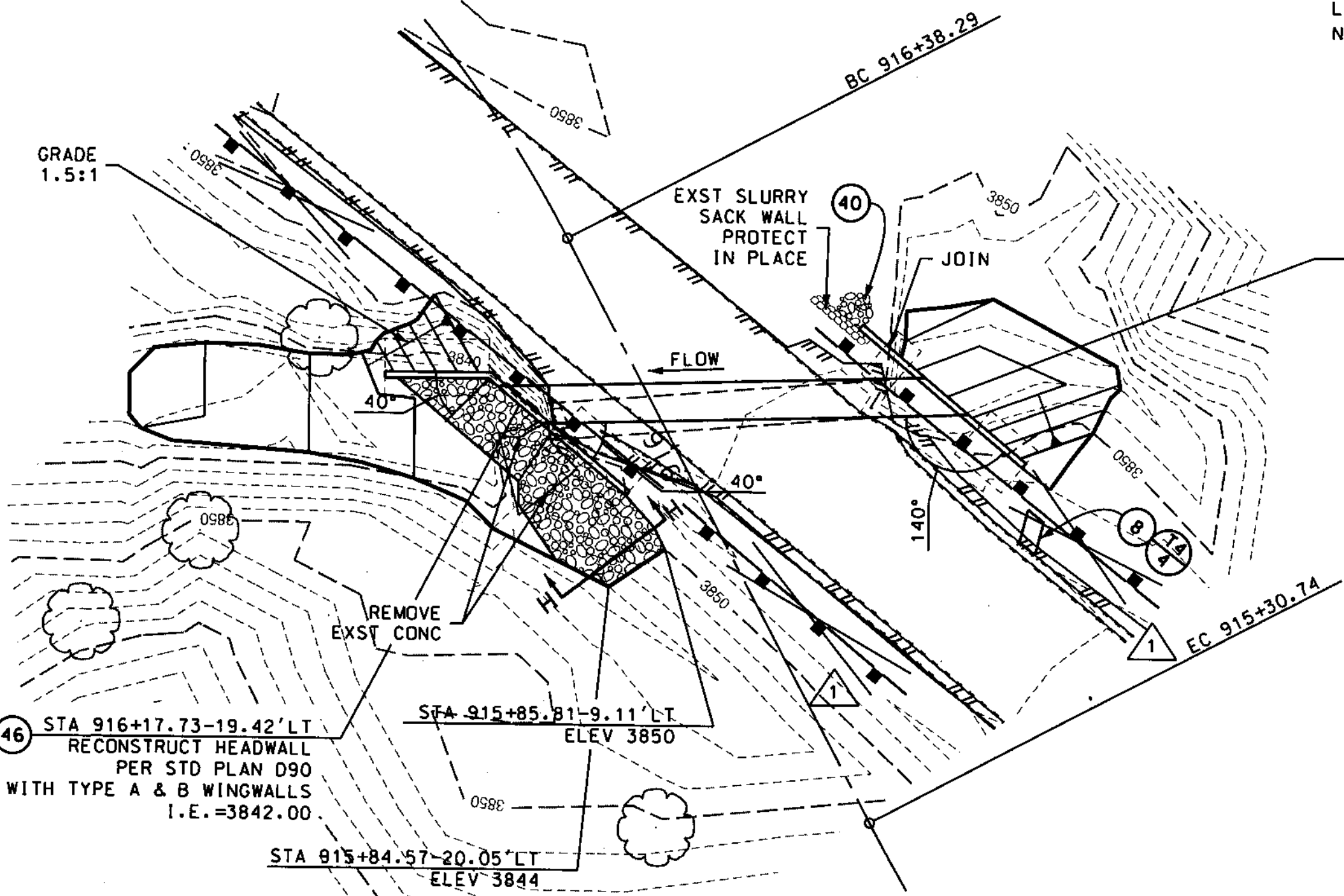
OUTLET RIP RAP DETAIL
NOT TO SCALE



OUTLET ISOMETRIC VIEW
NOT TO SCALE



SECTION H-H
NOT TO SCALE

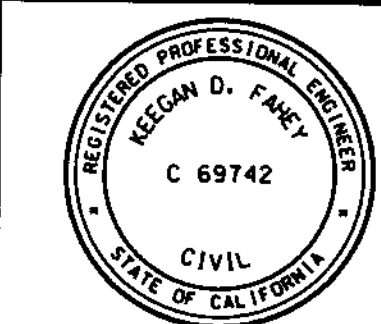


PINE CANYON ROAD @ CM 3.90
PLAN
SCALE: 1" = 20'

FOR PAVING AND GUARDRAIL
INSTALLATION SEE SHEET 11

DATE
REVIEWED BY
CADD PROJECT FILE NAME
CHECKER
DESIGNER
DRAFTER

DATE	NO.	DESCRIPTION
9/2/14	1	DELETE GUARDRAILS PER T&L'S TRAFFIC ENGINEERING REPORT DATED 8-14-14
REVISIONS		



Megan D. Finley
PROJECT ENGINEER 07/29/13

COUNTY OF LOS ANGELES DEPARTMENT OF PUBLIC WORKS

PINE CANYON RD. ET AL.
PINE CANYON ROAD AT CM 3.90
DRAINAGE DETAIL
PROJECT ID NO. RDC0014131

PCA DWG SHEET 16 OF 16