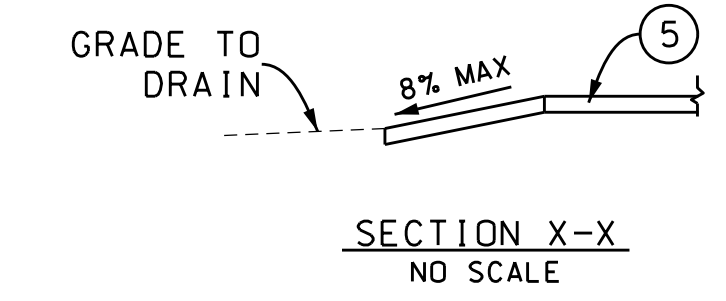
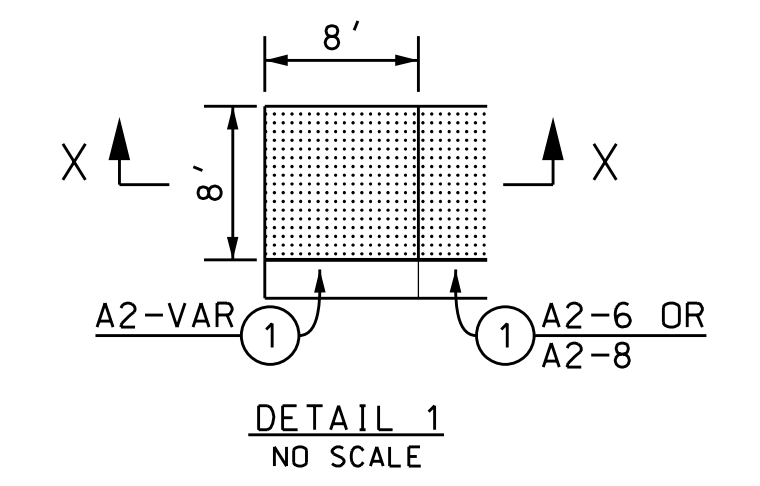
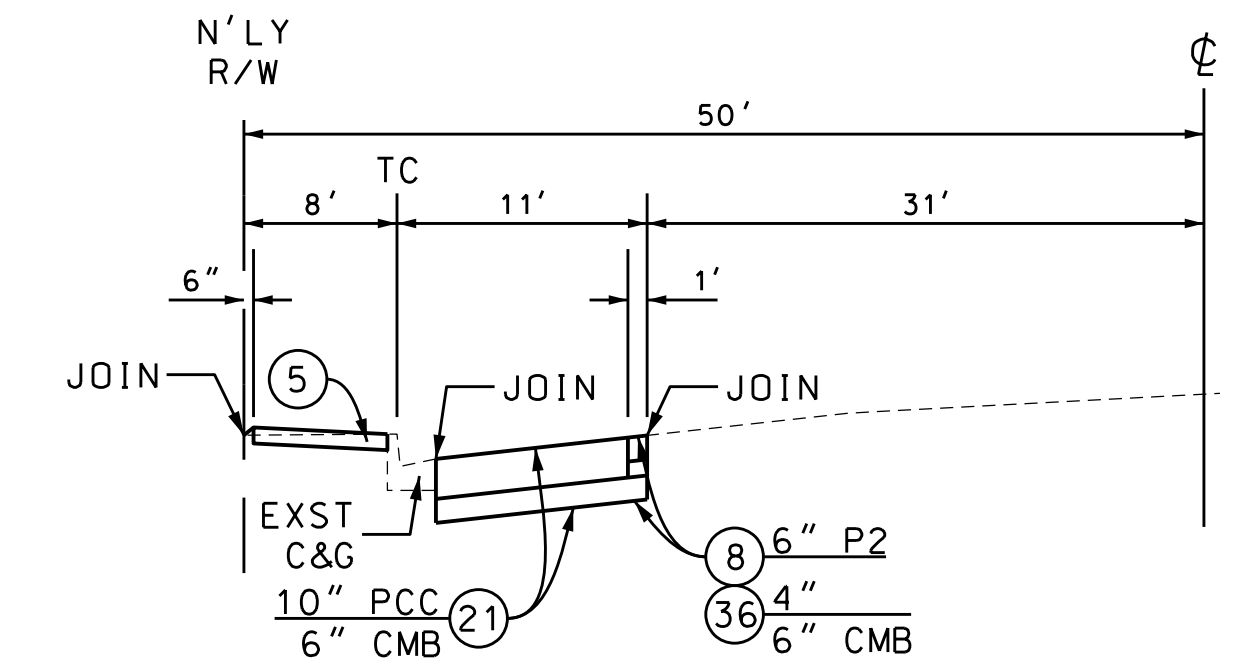
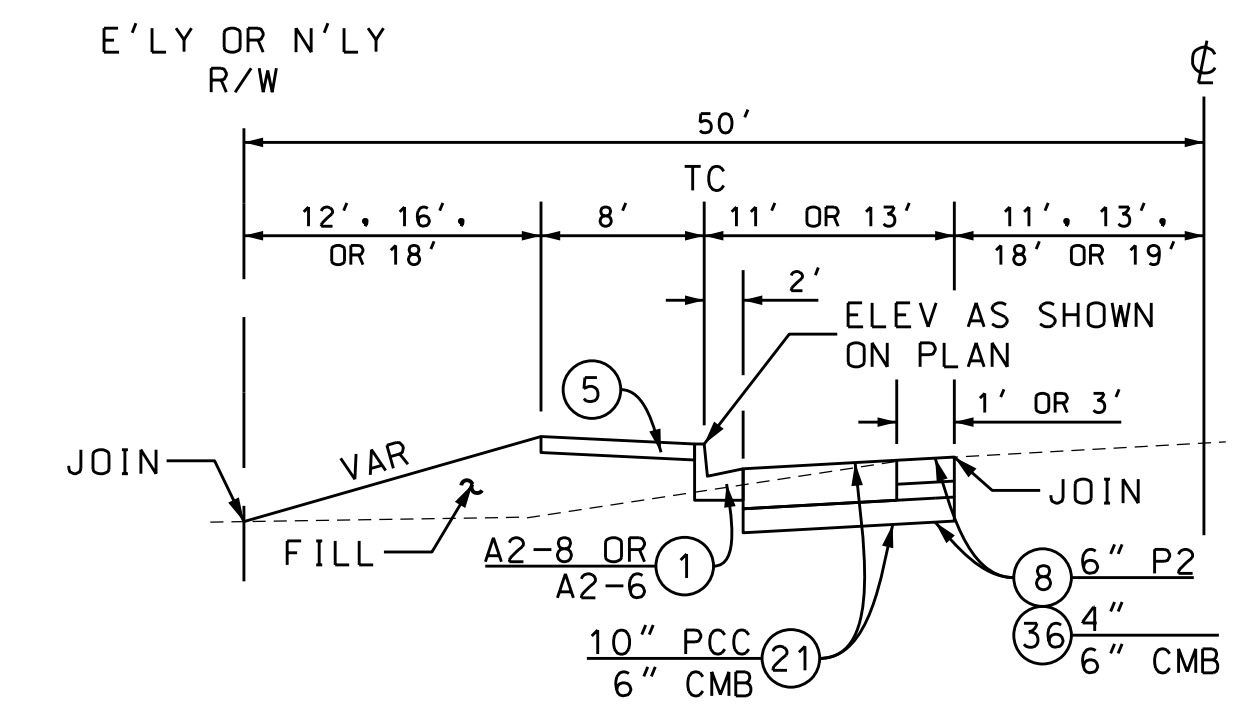
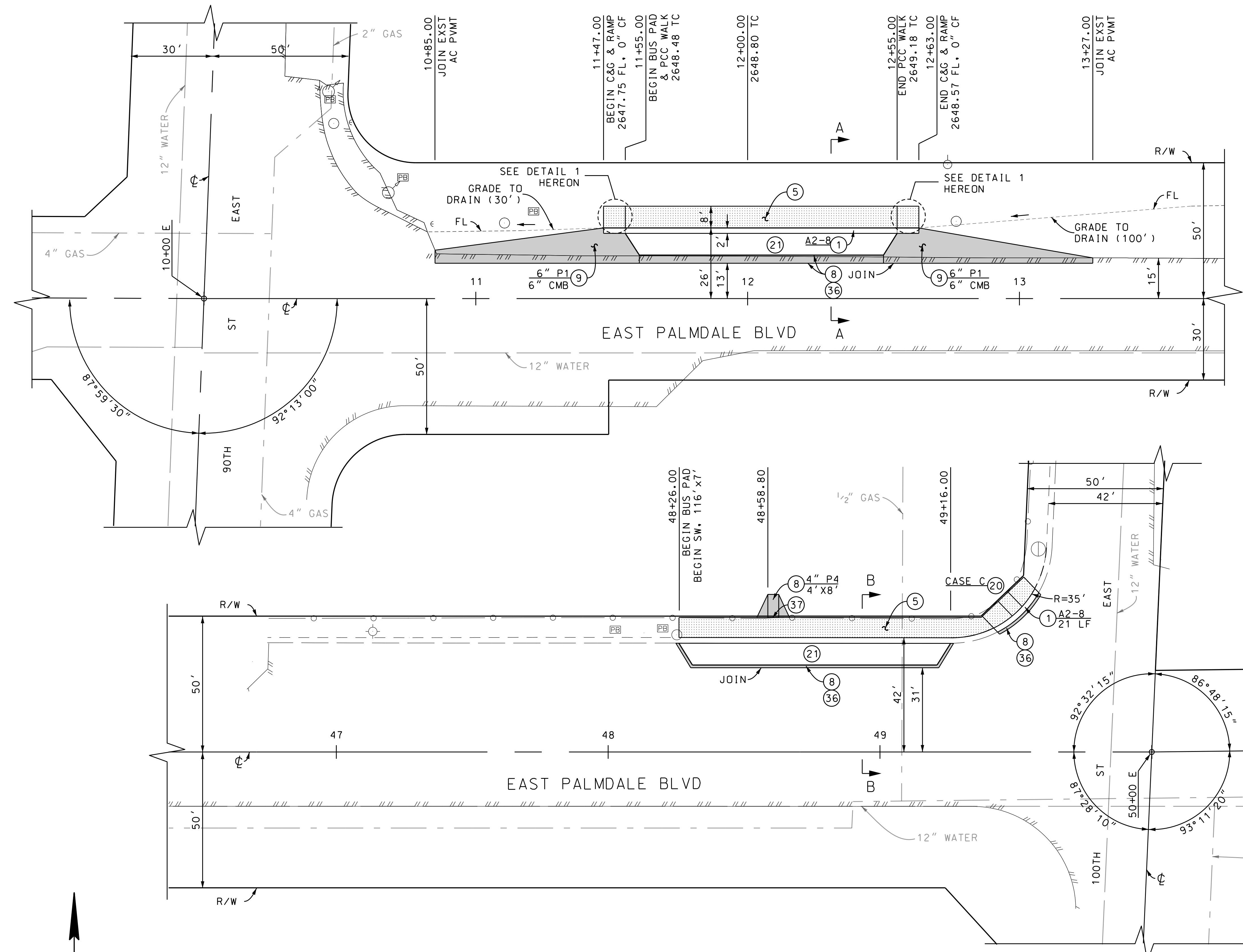
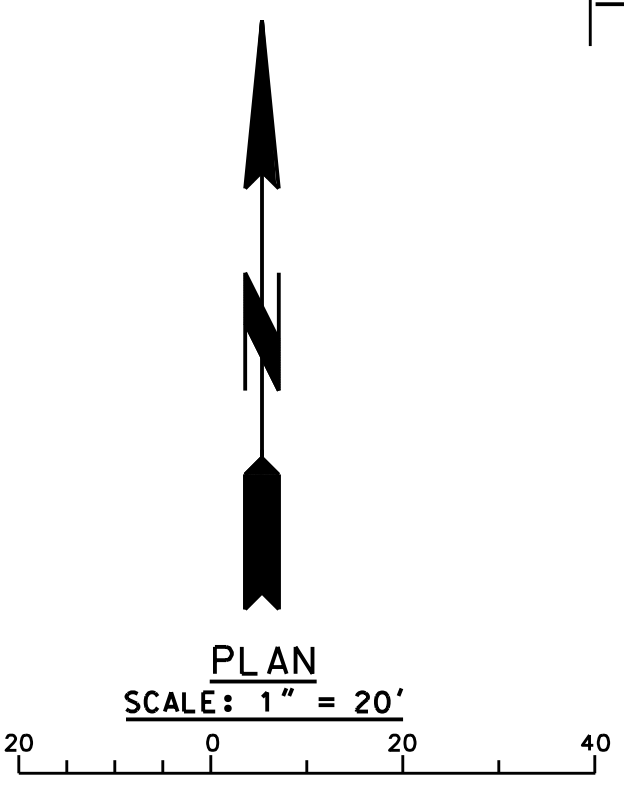


DATE _____
 REVIEWED BY _____
 CAD PROJECT FILE NAME TRN0000019-PLAN-RD-DGN
 CHECKER M. ORELLANA
 DESIGNER J. NOORPARVAR
 DRAFTER K. MORALES



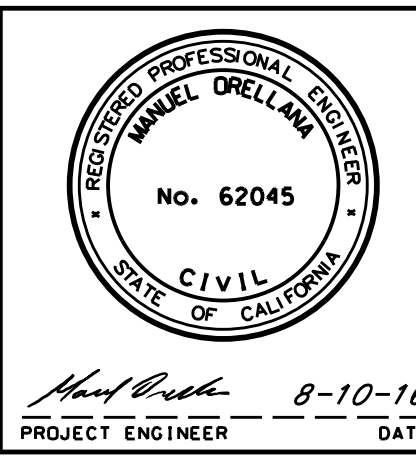
BENCHMARK PT# 7000
 PWFB 3230, PAGE 396
 INT PALMDALE BLVD & 100TH ST E.
 1/4 COR SEC 29-30, T6N, R10W FD C.S. MON
 ELEV= 2668.70 NAVD'88 (LLAND 2012)

BENCHMARK PT# 8000
 PWFB 3229, PAGE 429
 INT PALMDALE BLVD AND 90TH ST E.
 1/4 COR SEC 29-30, T6N, R10W CO ENGR MON
 ELEV= 2646.88 NAVD'88 (LLAND 2012)



PH085715

DATE	BY	REVISIONS



COUNTY OF LOS ANGELES DEPARTMENT OF PUBLIC WORKS

**NORTH COUNTY
 BUS STOP IMPROVEMENTS
 PLAN**

PROJECT ID NO. TRN0000019

PCA DWG SHEET 4 OF 7