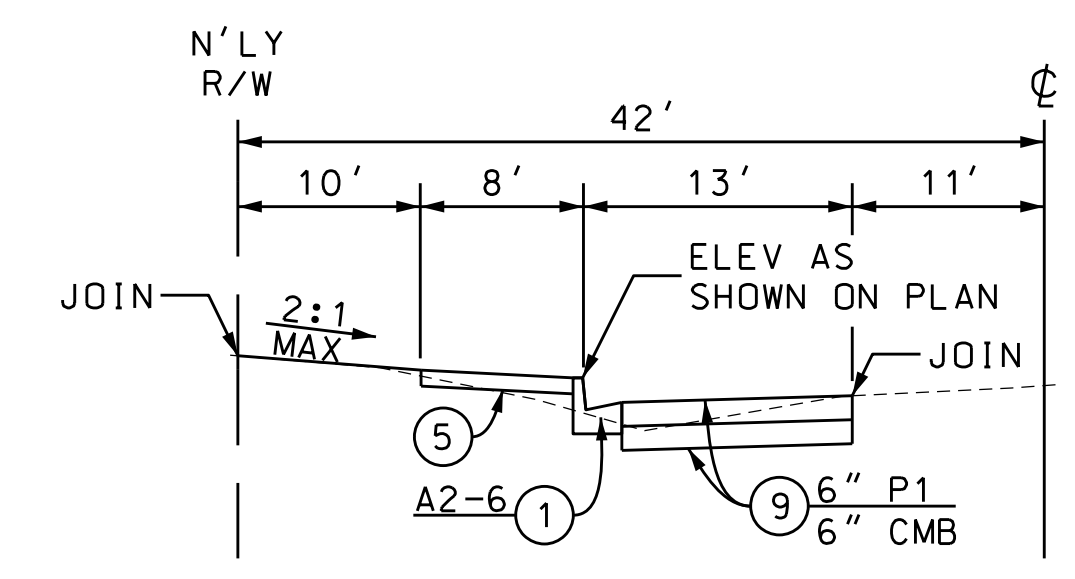
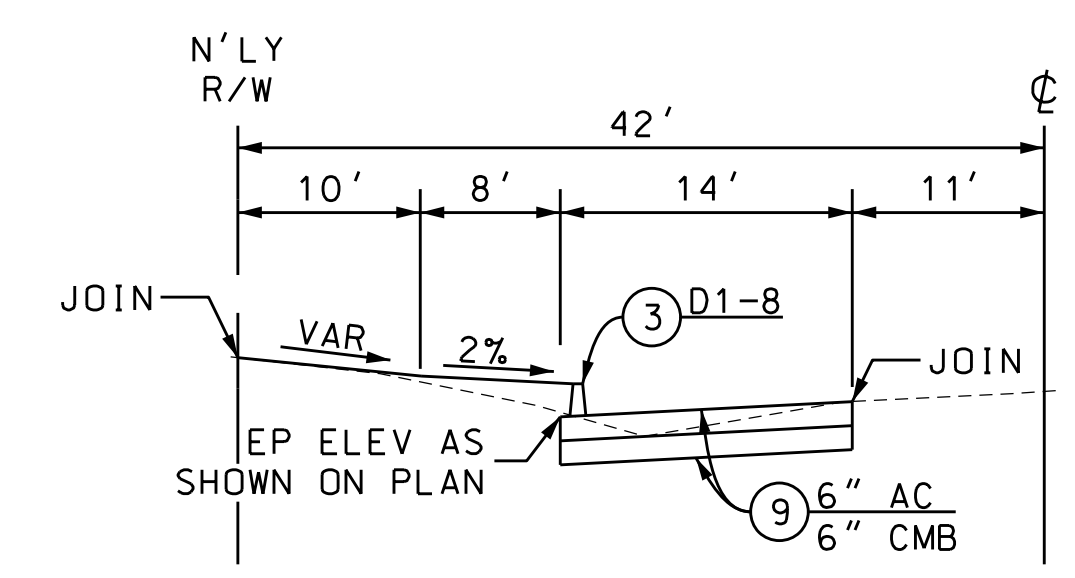


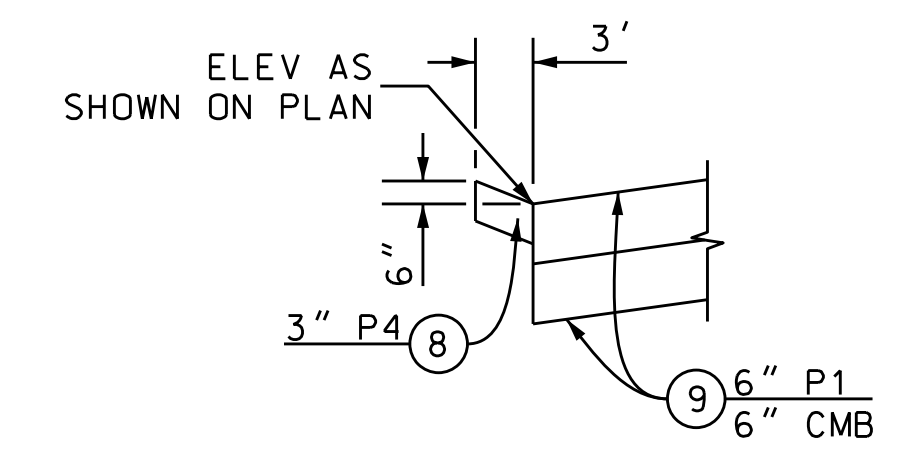
SEE SECTION A-A ON SHEET 4



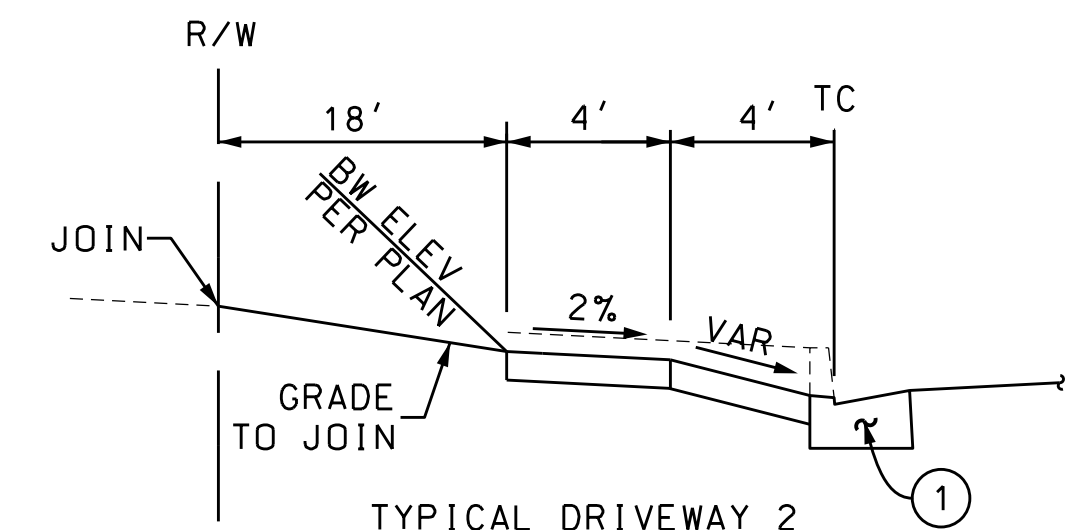
SECTION D-D  
NO SCALE  
INTERSECTION OF EAST AVE N-8 AND 158TH ST EAST  
INTERSECTION OF EAST AVE N-8 AND 162ND ST EAST  
INTERSECTION OF EAST AVE N-8 AND 170TH ST EAST



SECTION E-E  
NO SCALE  
INTERSECTION OF EAST AVE N-8 AND 158TH ST EAST  
INTERSECTION OF EAST AVE N-8 AND 162ND ST EAST  
INTERSECTION OF EAST AVE N-8 AND 170TH ST EAST



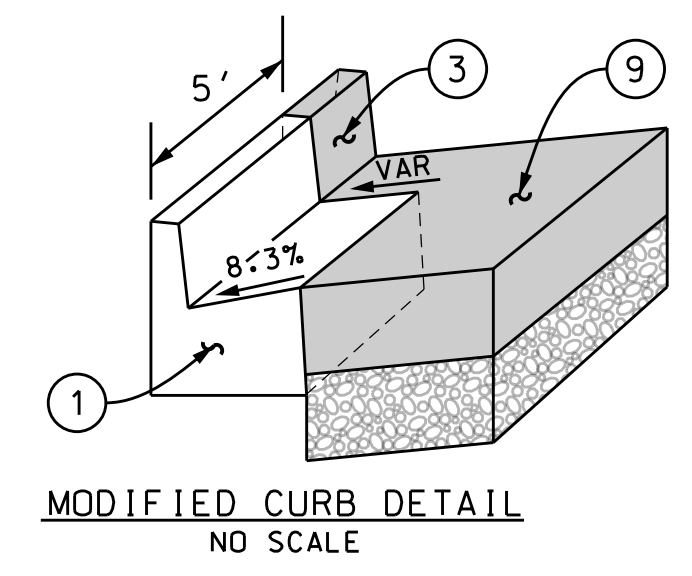
TYPICAL AC INVERTED SHOULDER SECTION  
NO SCALE  
INTERSECTION OF EAST AVENUE N AND 158TH ST EAST  
INTERSECTION OF EAST AVE N-8 AND 158TH ST EAST  
INTERSECTION OF EAST AVE N-8 AND 162ND ST EAST  
INTERSECTION OF EAST AVE N-8 AND 170TH ST EAST  
INTERSECTION OF 50TH ST WEST AND EAST AVE M-8



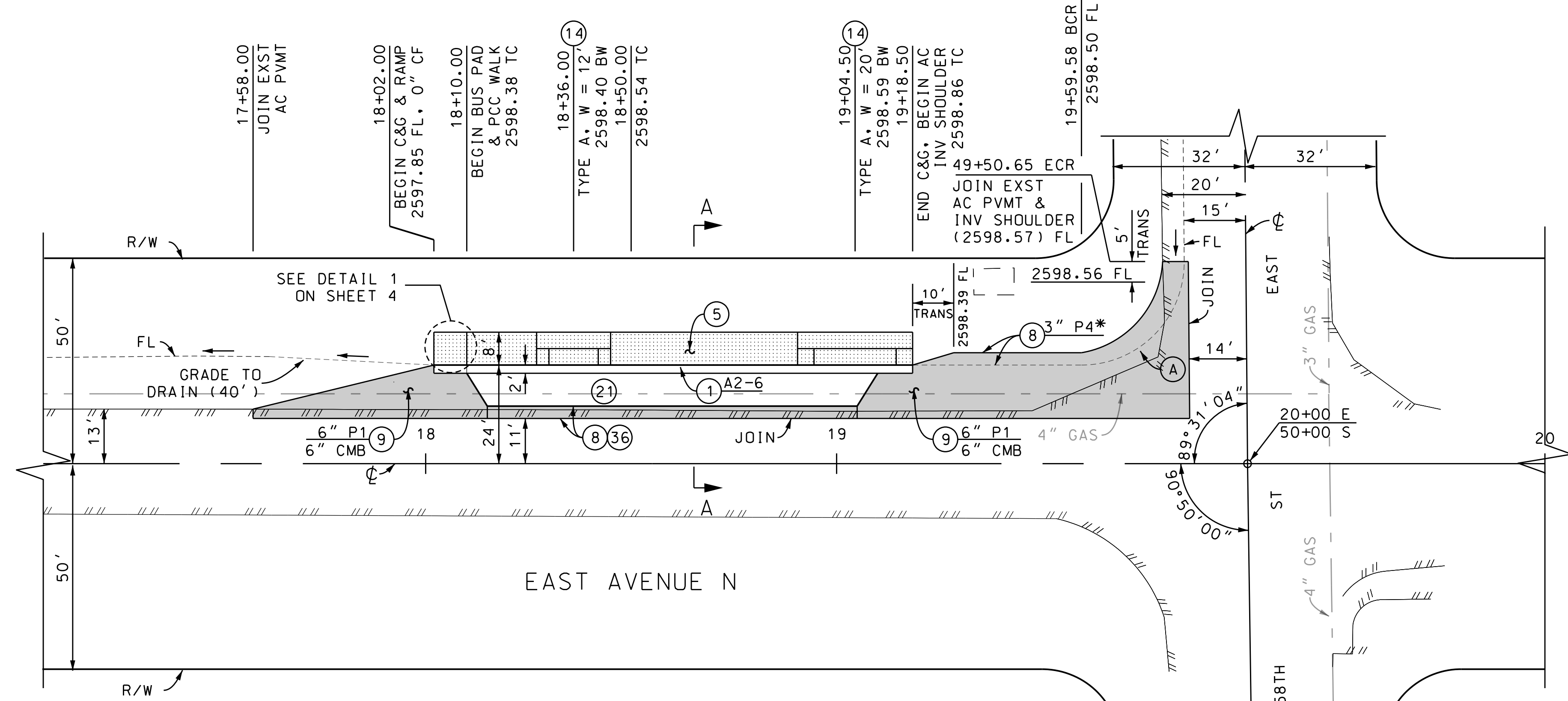
TYPICAL DRIVEWAY 2  
NO SCALE  
EAST AVE N W/O 158TH ST EAST

BENCHMARK PT# 2002  
PWFB 3333, PAGE 334  
C INT AVE N-8 & 158TH ST EAST  
CO ENG WELL MON DN 18"  
ELEV= 2611.94 NAVD'88 (LLANO 2012)

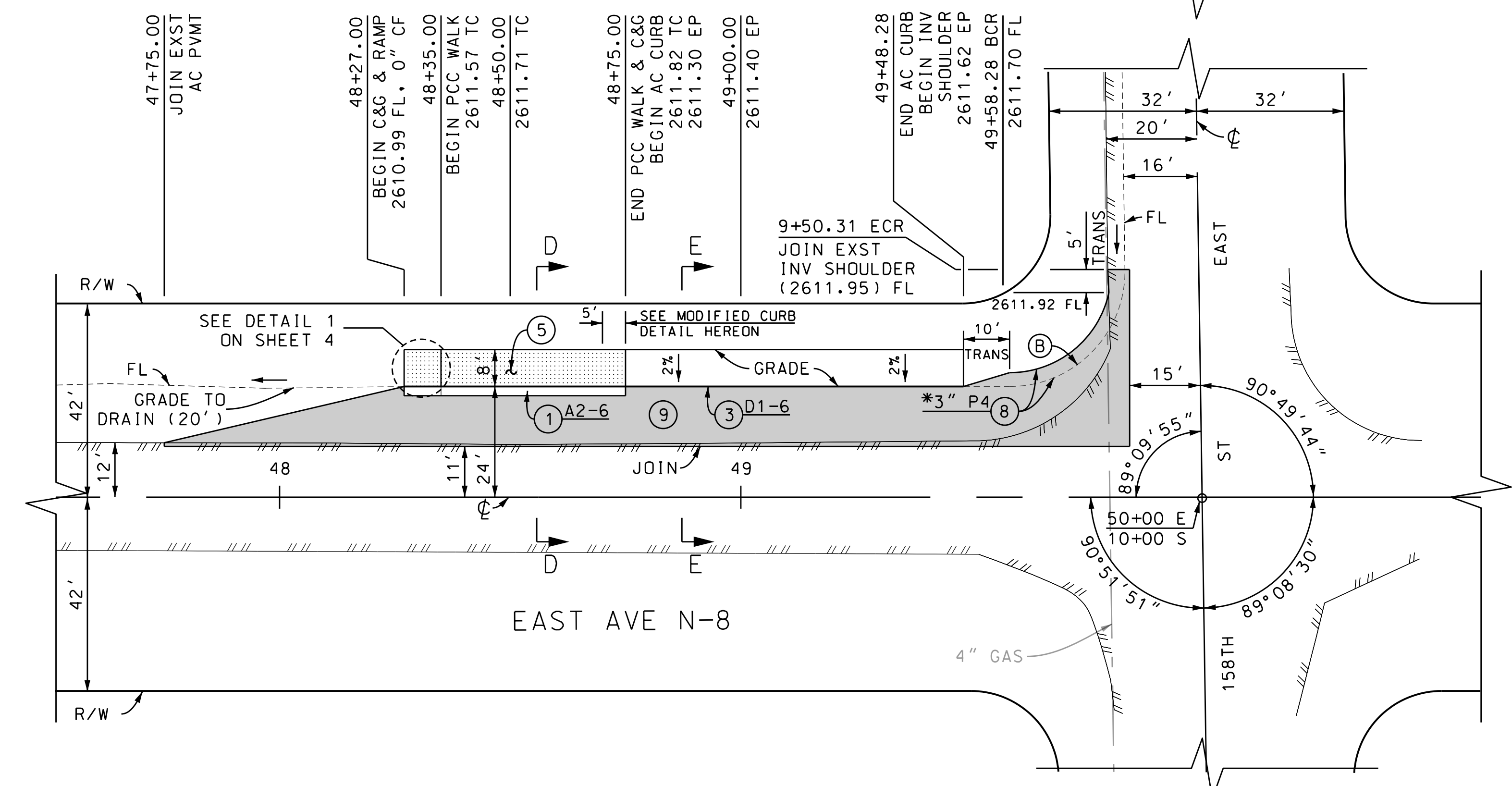
BENCHMARK PT# 1000  
PWFB 3433, PAGE 259  
C INT AVE N & 158TH ST EAST  
2" IP & TAG ILLEG DN 4"  
USED HIGH PT OF PIPE FOR ELEV.  
ELEV= 2599.15 NAVD'88 (LLANO 2012)



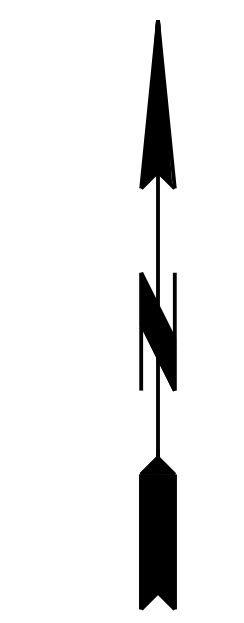
MODIFIED CURB DETAIL  
NO SCALE



\* SEE TYPICAL AC INVERTED SHOULDER SECTION HEREON



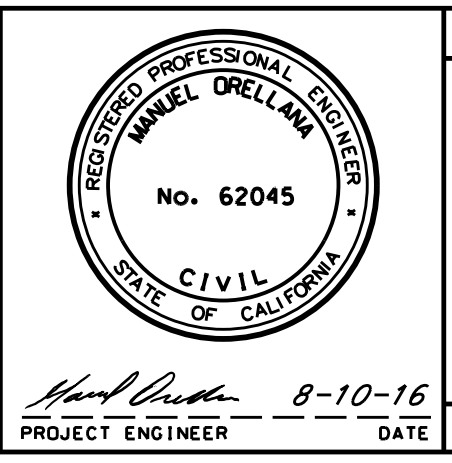
DATE  
REVIEWED BY  
CAD PROJECT FILE NAME TRN0000019-PLAN-RD.DGN  
CHECKER M. ORELLANA  
DESIGNER J. NOORPARVAR  
DRAFTER K. MORALES



PLAN  
SCALE: 1" = 20'

CURVE	RADIUS (FT)	CENTRAL ANGLE			LENGTH (FT)	TANGENT (FT)	ELEVATIONS (FL)		
		DEG	MIN	SEC			E'LY Δ/4	Δ/2	W'LY Δ/4
(A)	25.00	90	28	56	39.48	25.21	2598.52	2598.53	2598.55
(B)	25.00	90	50	05	39.63	25.37	2611.76	2611.83	2611.89

DATE	MR	DESCRIPTION
REVISIONS		



COUNTY OF LOS ANGELES DEPARTMENT OF PUBLIC WORKS

**NORTH COUNTY  
BUS STOP IMPROVEMENTS  
PLAN**

PROJECT ID NO. TRN0000019

DATE: 8-10-16  
PROJECT ENGINEER: [Signature]

PCA DWG SHEET 6 OF 7

PH085717