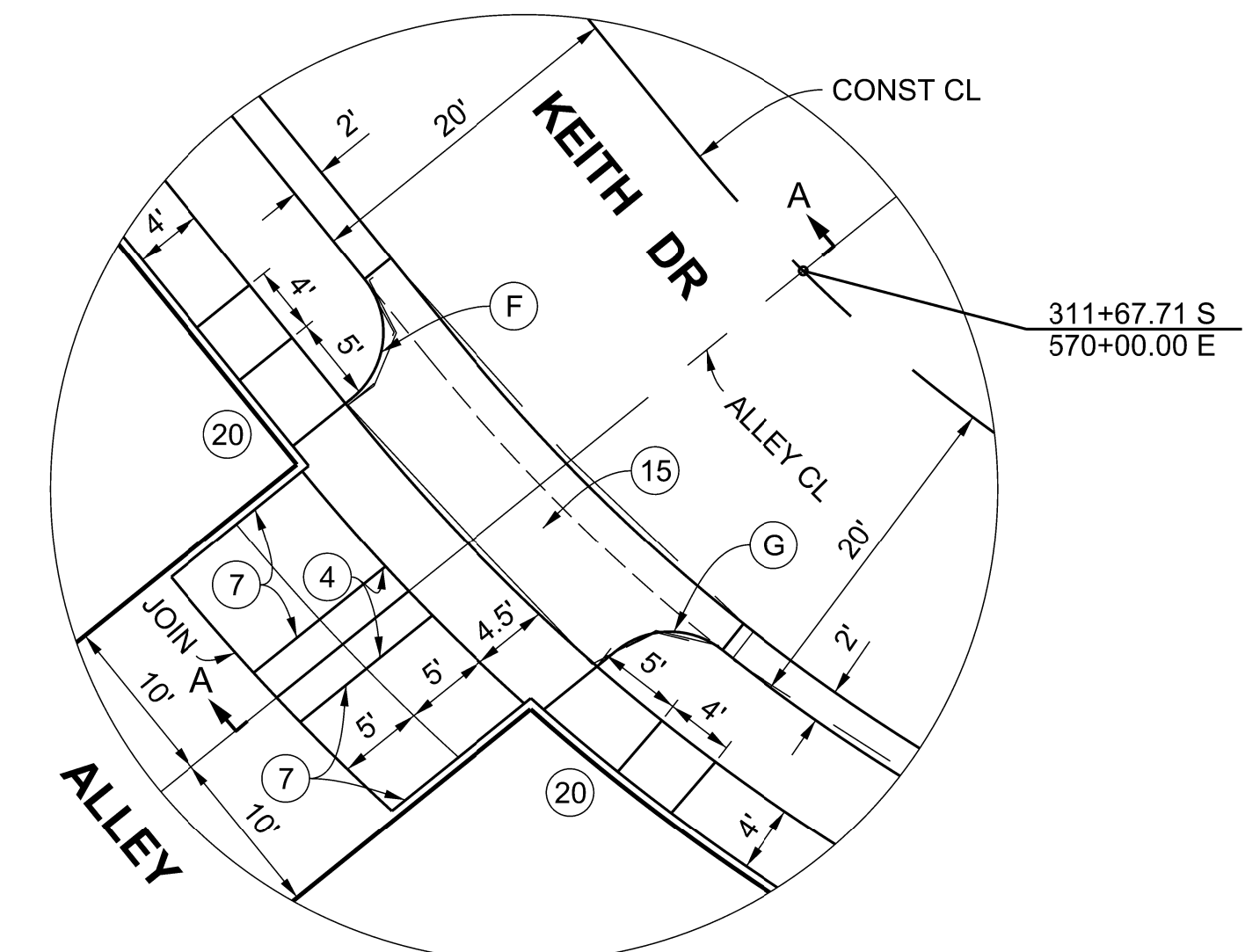
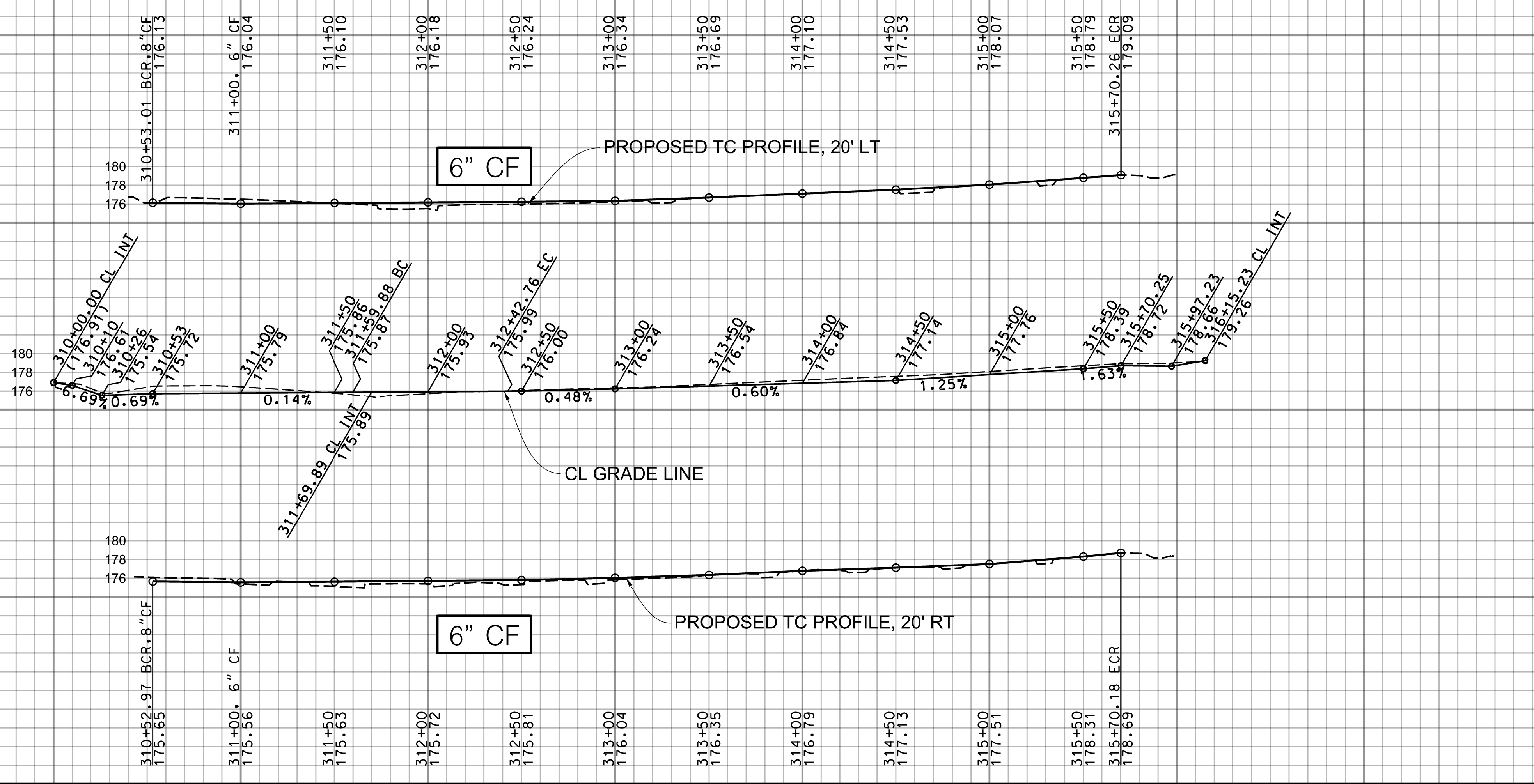
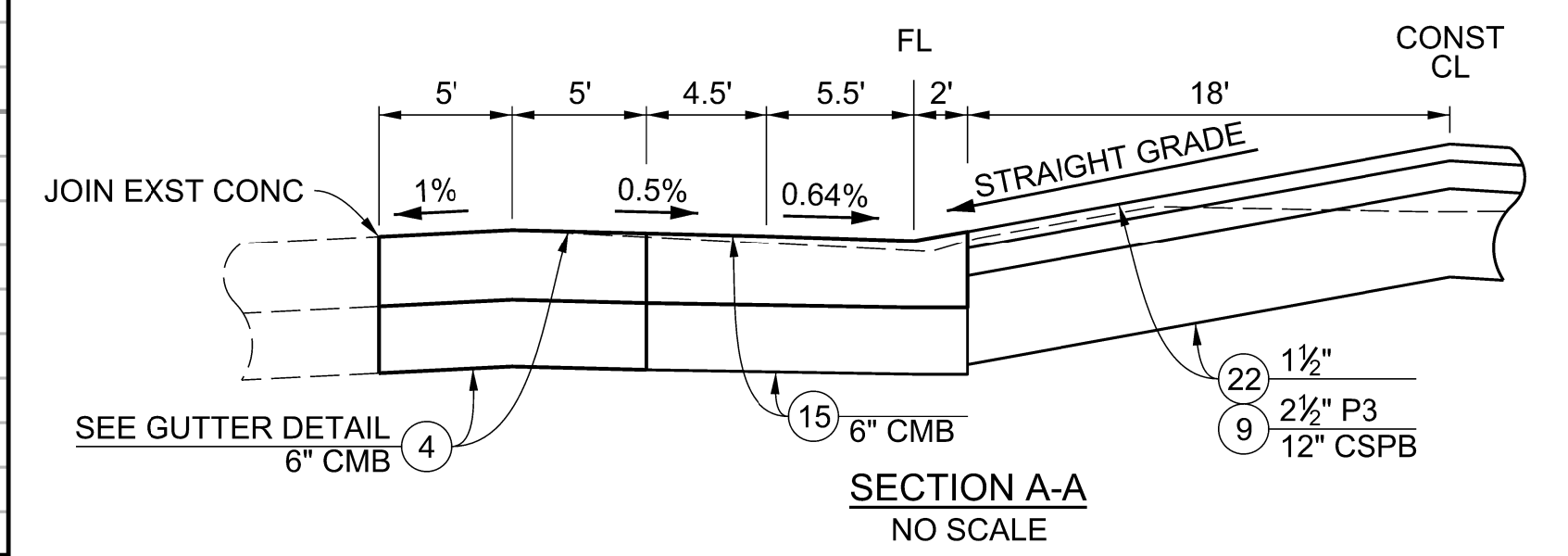


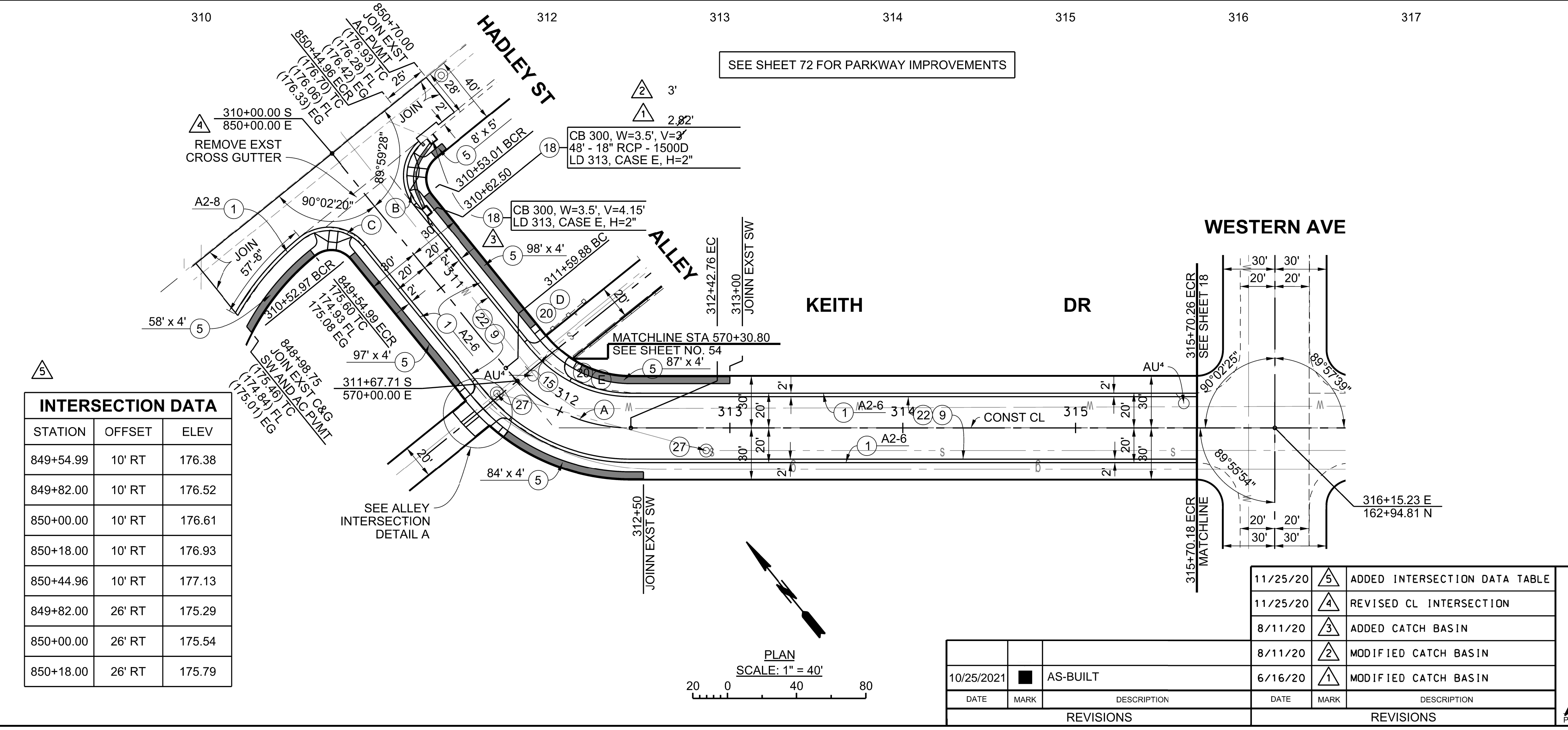
SCALE: HOR. 1"=40'
VERT. 1"=8'



ALLEY INTERSECTION DETAIL A
NO SCALE



SECTION A-A
NO SCALE



SEE SHEET 72 FOR PARKWAY IMPROVEMENTS

INTERSECTION DATA		
STATION	OFFSET	ELEV
849+54.99	10' RT	176.38
849+82.00	10' RT	176.52
850+00.00	10' RT	176.61
850+18.00	10' RT	176.93
850+44.96	10' RT	177.13
849+82.00	26' RT	175.29
850+00.00	26' RT	175.54
850+18.00	26' RT	175.79

CURVE DATA				
CURVE	RADIUS	CENTRAL ANGLE	LENGTH	TANGENT
(A)	93.11'	51° 00' 09"	82.88'	44.41'
(B)	25.00'	90° 00' 32"	39.27'	25.00'
(C)	25.00'	89° 57' 40"	39.25'	24.98'
(D)	5.00'	89° 58' 51"	7.85'	5.00'
(E)	7.50'	112° 35' 25"	14.74'	11.24'
(F)	5.00'	90° 01' 09"	7.86'	5.00'
(G)	5.00'	77° 31' 19"	6.77'	4.01'

BENCHMARK
PT 606, ELEV 179.06 (WHITTIER & BASELINE QUAD 2005), PWFB 1027, PG 957
CL INT KEITH DR & WESTERN AVE FD.SQ.HD.SP&T PER R1, FL

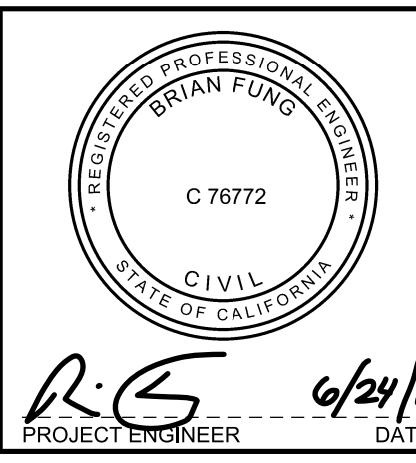
LOS ANGELES COUNTY PUBLIC WORKS

SOUTH WHITTIER LOS NIETOS
KEITH DRIVE, ET AL.

PROJECT ID NO. RMD4408001
PLAN AND PROFILE

PD PH086549 SHEET 30 OF 79

DATE	MARK	DESCRIPTION	DATE	MARK	DESCRIPTION
10/25/2021	■	AS-BUILT			
REVISIONS					
11/25/20	(S)	ADDED INTERSECTION DATA TABLE			
11/25/20	(A)	REVISED CL INTERSECTION			
8/11/20	(3)	ADDED CATCH BASIN			
8/11/20	(2)	MODIFIED CATCH BASIN			
6/16/20	(1)	MODIFIED CATCH BASIN			



R.S. PROJECT ENGINEER
6/24/19 DATE