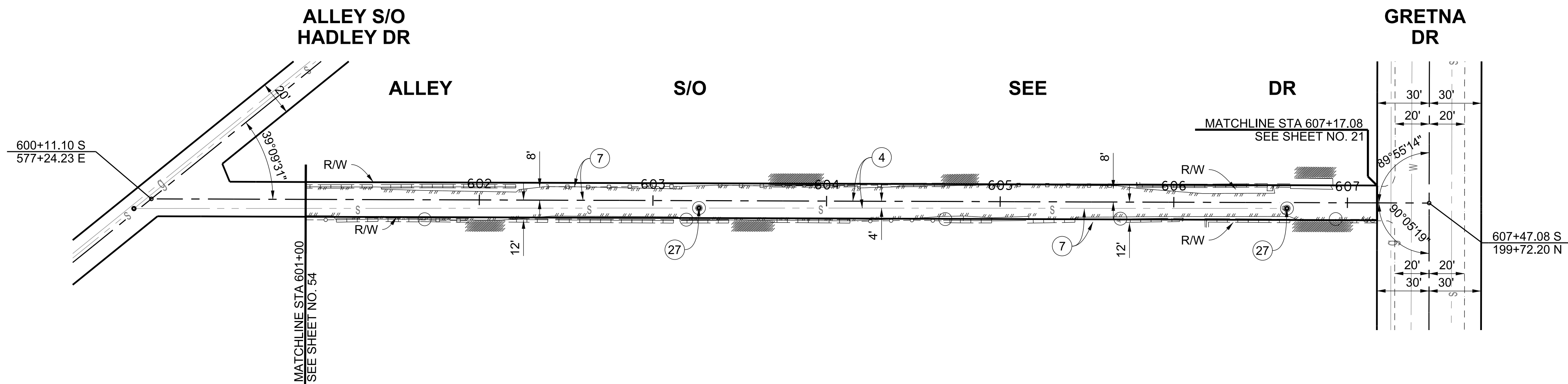
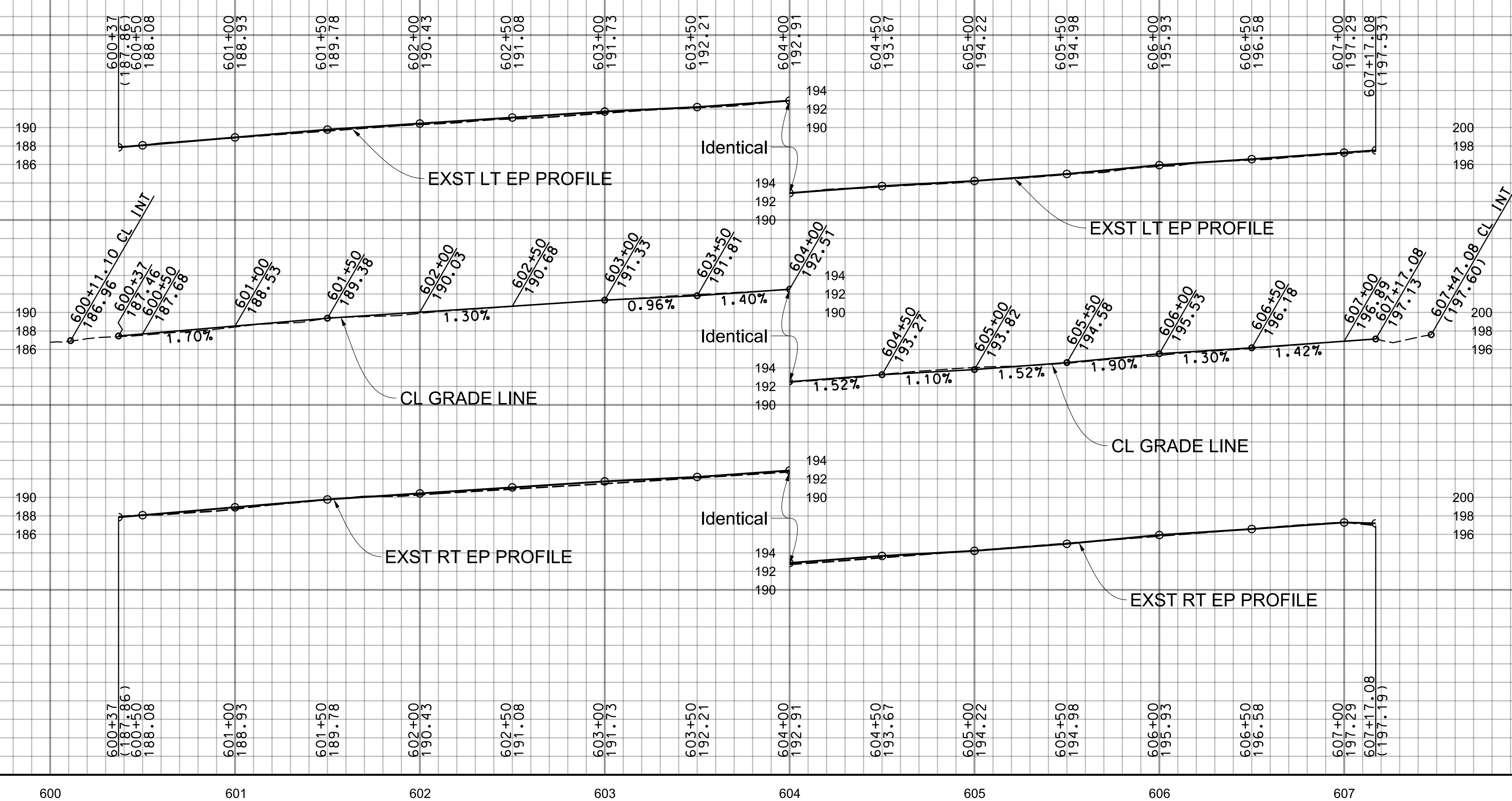


SCALE: HOR. 1"= 40'
VERT. 1"= 8'



CADD PROJECT FILE NAME: \$FILESS
CHECKER: B. FUNG
DESIGNER: J. GARCIA
DRAFTER: J. GARCIA

PLAN
SCALE: 1" = 40'

BENCHMARK
PT 610, ELEV 197.65 (WHITTIER & BASELINE QUAD 2005), PWFB 1027, PG 969
CL INT. GRETNA AVE & ALLEY S/O SEE DR FD SPK & W PER R1, FL



PROJECT ENGINEER: R.S. DATE: 6/24/19

LOS ANGELES COUNTY PUBLIC WORKS
SOUTH WHITTIER LOS NIETOS
KEITH DRIVE, ET AL.
PROJECT ID NO. RMD4408001
PLAN AND PROFILE

DATE	MARK	DESCRIPTION
10/25/2021	■	AS-BUILT
REVISIONS		

PD PH086575 SHEET 56 OF 79

PLAN RD