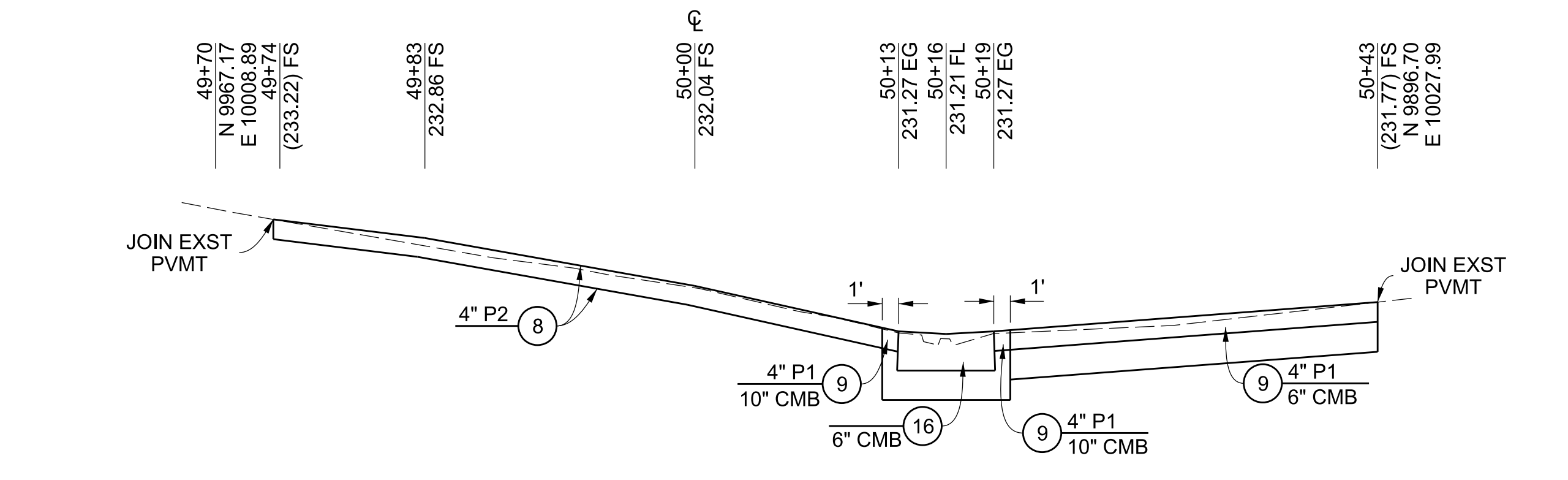
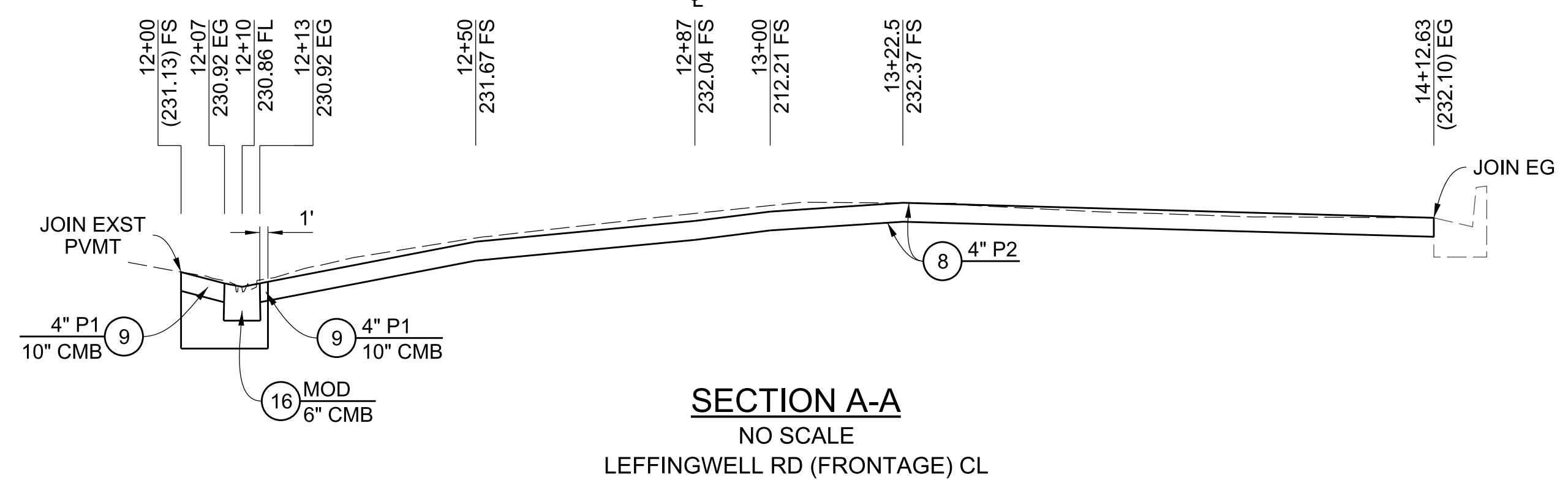


- RIVER ROCK NOTES**
1. RIVER ROCK COBBLE, 4"-8", SET IN MORTAR BED MIN 1/2 OF THEIR RESPECTIVE DIAMETER
 2. PCC POURED IN PLACE CONCRETE MORTAR BED. CONCRETE TO BE JOINED FLUSH WITH TOP OF ADJACENT CURB AND SW.



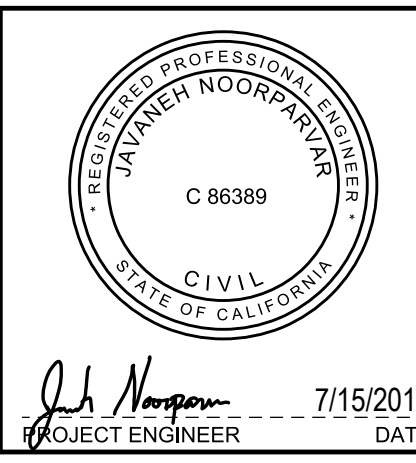
CADD PROJECT FILE NAME: RMD4408001-PLAN-RD.DGN

CHECKER: J. MELGAR

DESIGNER: J. NOORPARVAR

DRAFTER: B. SUBEH

BENCHMARK			
BM Y1151A	(BASELINE 2005)		
EL=236.674	NAVD 88		
L & BN IN SO CB			
LEFFINGWELL RD			
41' E/O CL PROD EL			
ARCO DR			
10/25/2021	AS-BUILT		
DATE	MARK	DESCRIPTION	
REVISIONS			



LOS ANGELES COUNTY PUBLIC WORKS

SOUTH WHITTIER LOS NIETOS
KEITH DRIVE, ET AL.

PROJECT ID NO. RMD4408001
PLAN AND TYPICAL SECTIONS

PD PH086596 SHEET 77 OF 79