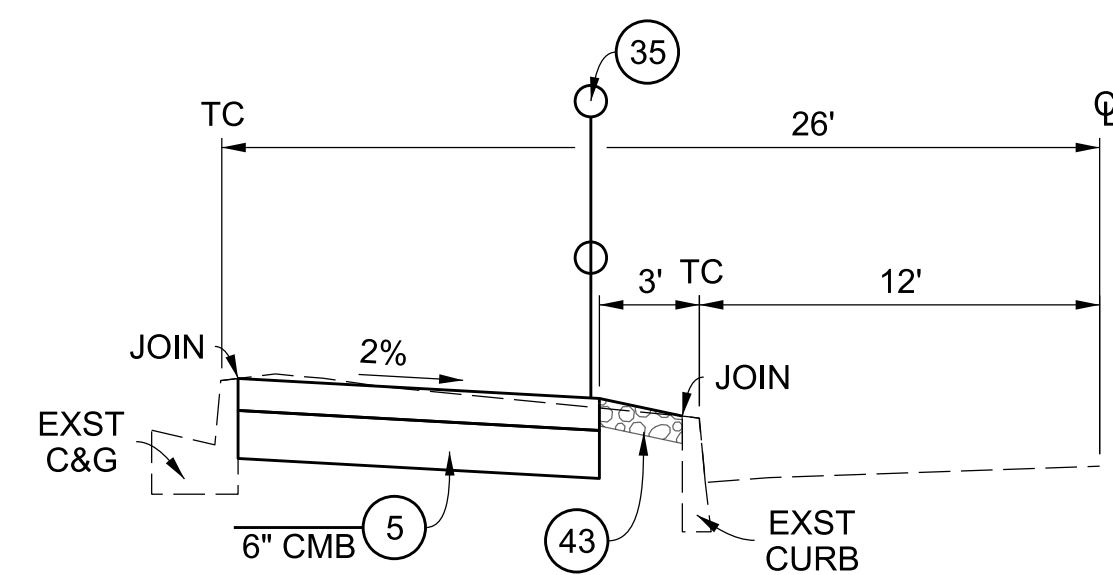
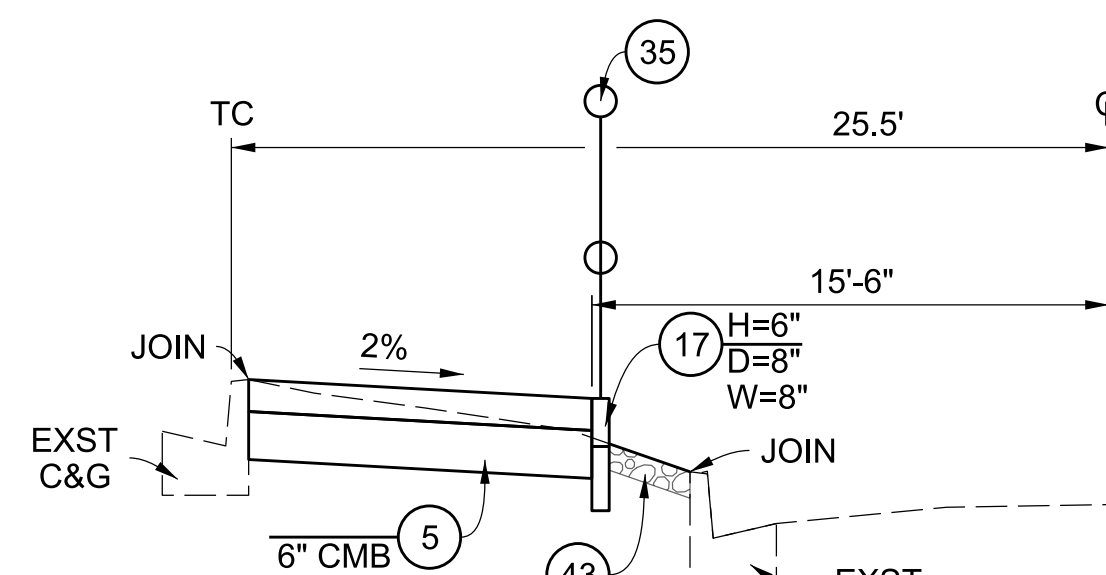


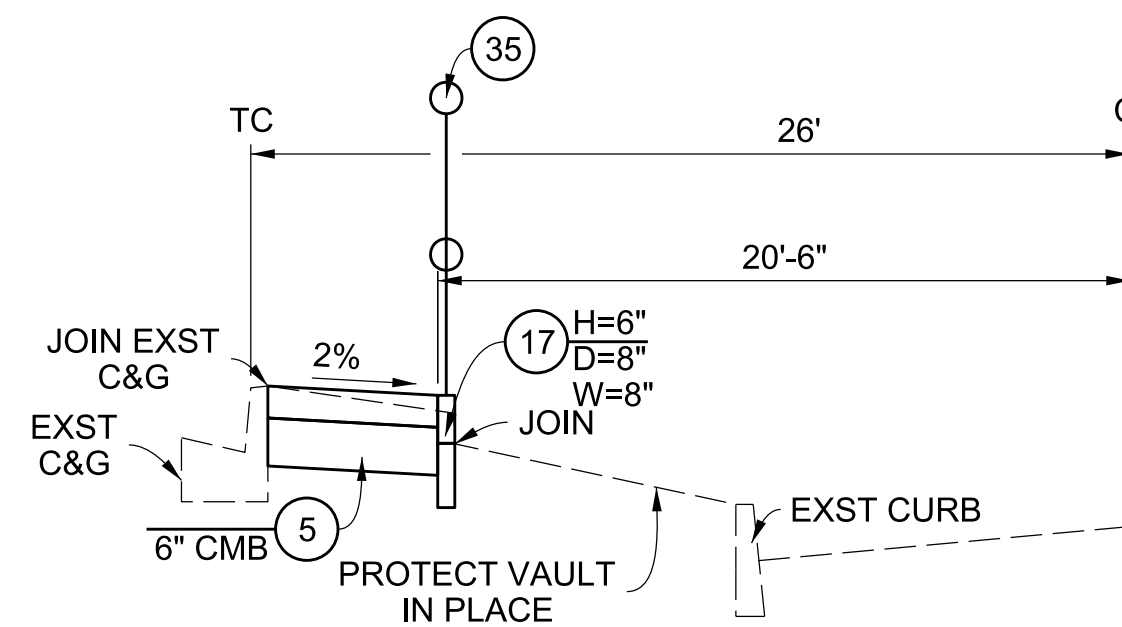
NORTHWEST MEDIAN DETAIL
SCALE: 1"=10'



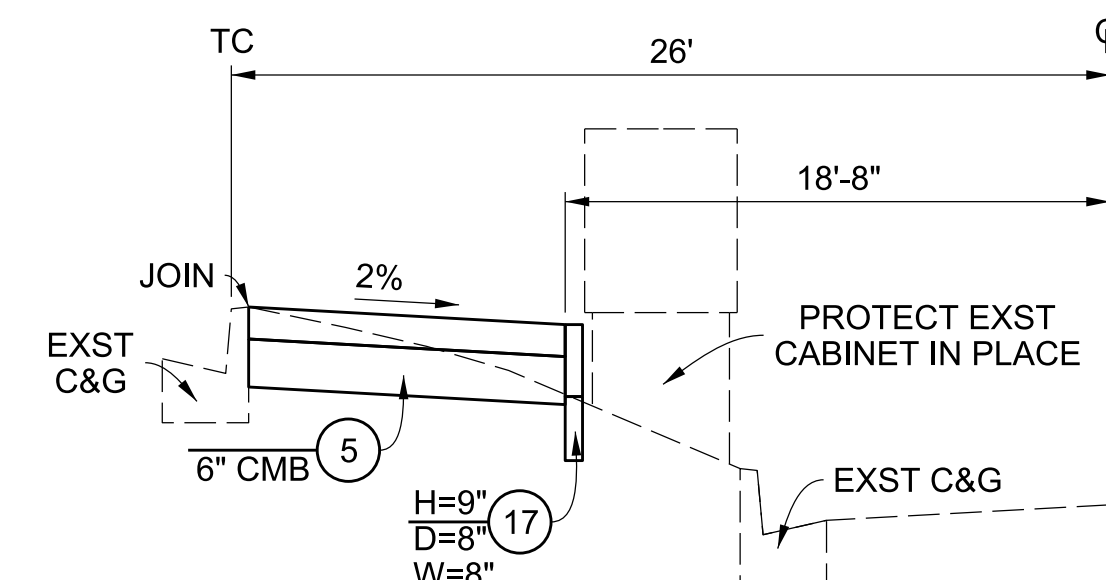
SECTION F-F
NO SCALE



SECTION H-H
NO SCALE

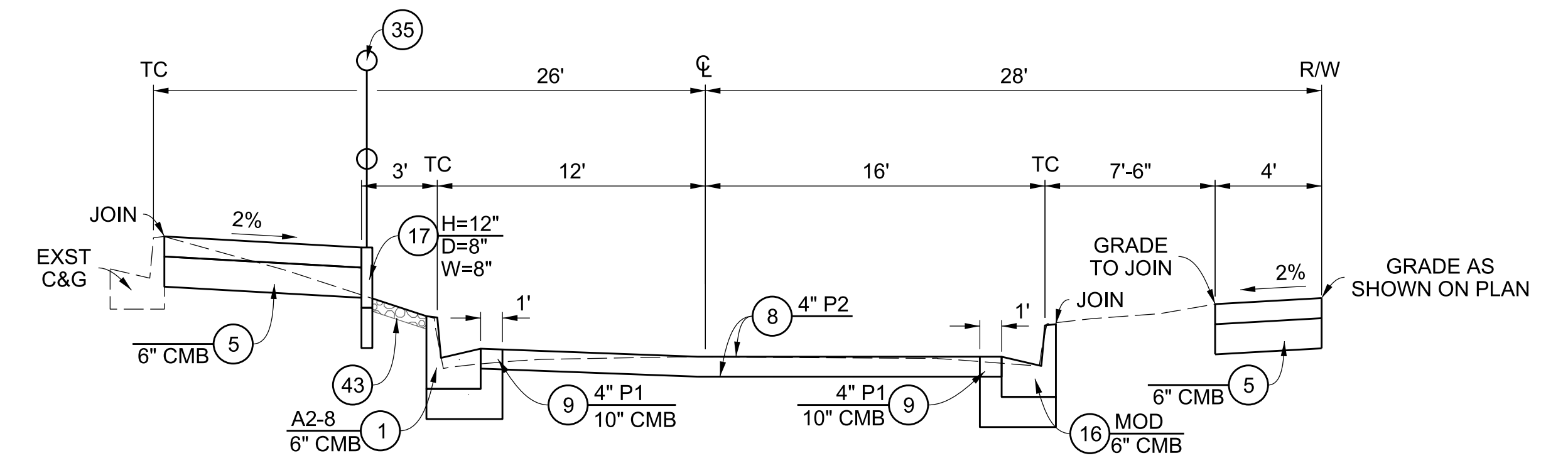


SECTION G-G
NO SCALE

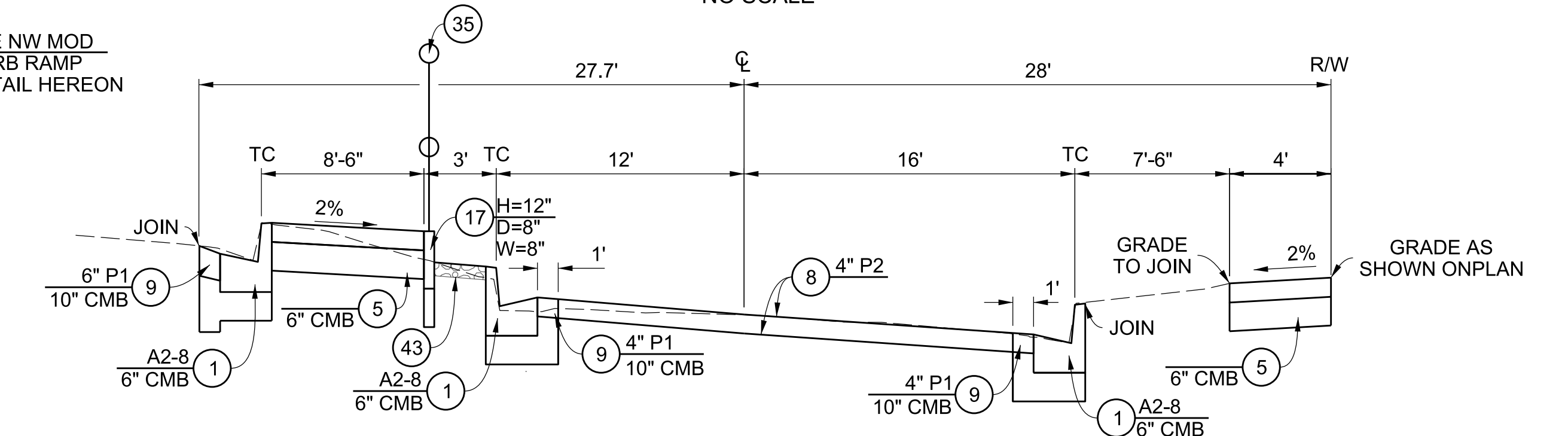


SECTION I-I
NO SCALE

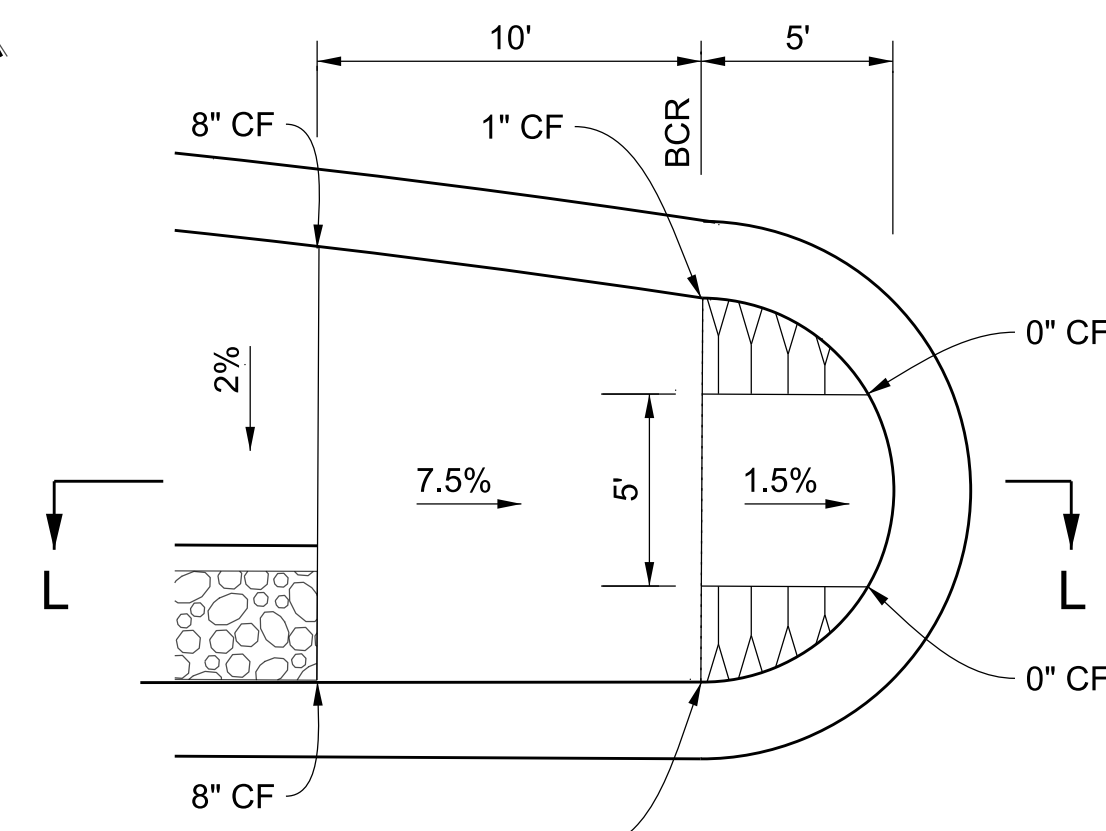
SEE RIVER ROCK PAVING
DETAIL ON SHEET 77



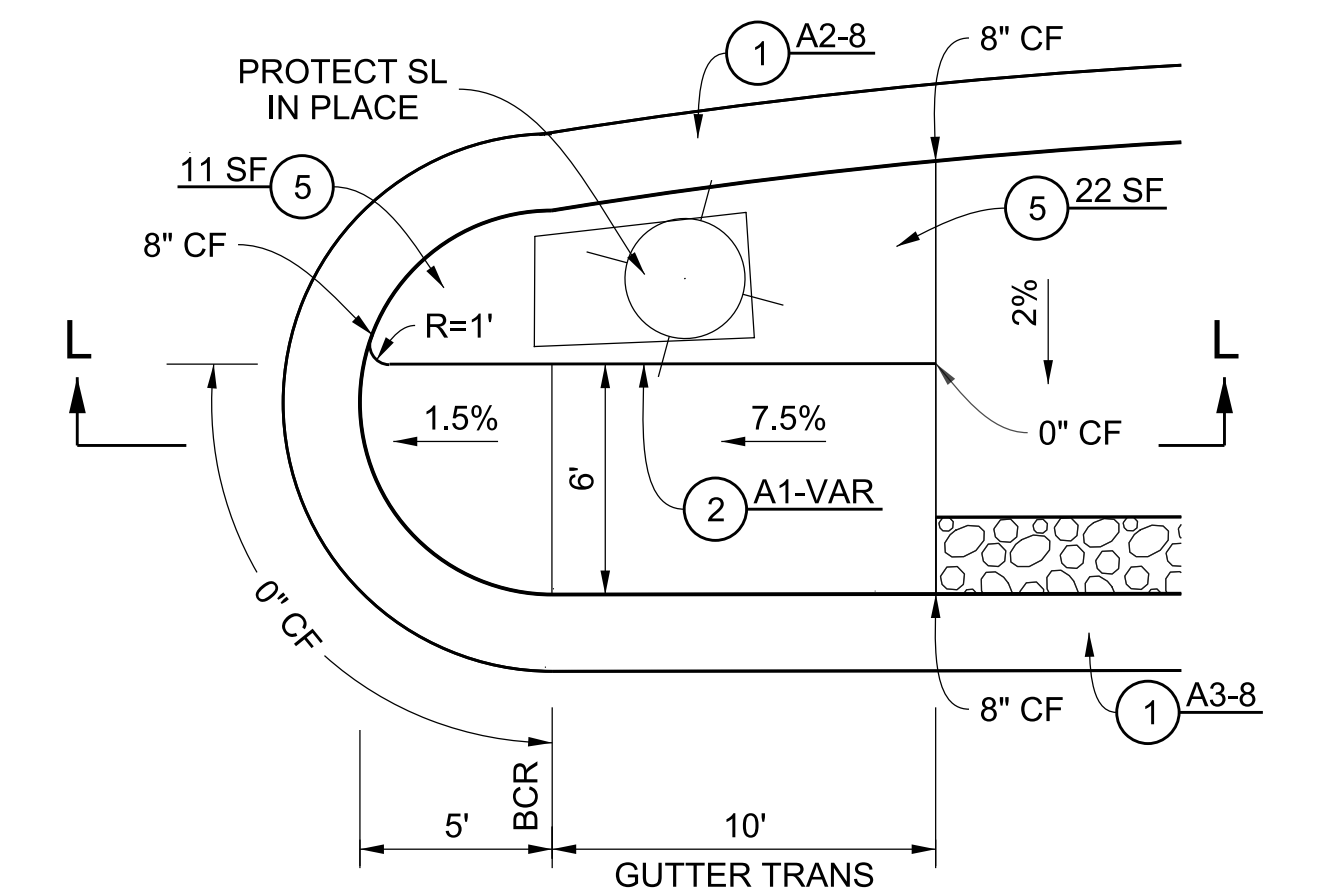
SECTION J-J
NO SCALE



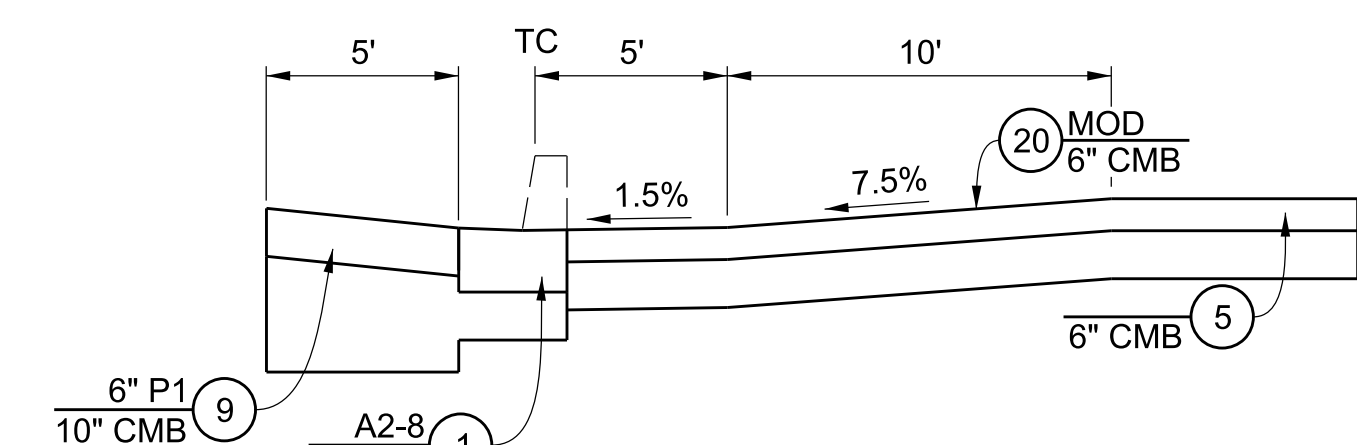
SECTION K-K
NO SCALE



NW MOD CURB RAMP DETAIL
NO SCALE

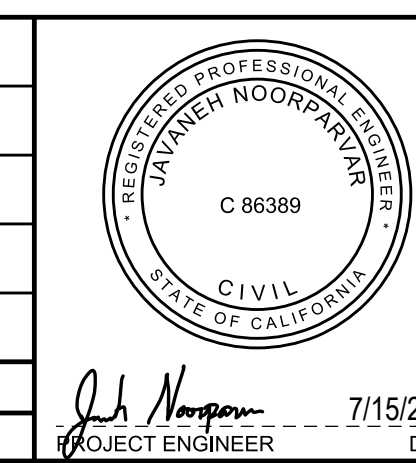


NE MOD CURB RAMP DETAIL
NO SCALE



SECTION L-L
NO SCALE

10/25/2021	AS-BUILT
DATE	MARK
DESCRIPTION	REVISIONS



LOS ANGELES COUNTY PUBLIC WORKS

SOUTH WHITTIER LOS NIETOS
KEITH DRIVE, ET AL.

PROJECT ID NO. RMD4408001
TYPICAL SECTIONS AND DETAIL

PD PH086597 SHEET 78 OF 79

DRAFTER: B. SUBEH
 DESIGNER: J. NOORPARVAR
 CHECKER: J. MELGAR
 CADD PROJECT FILE NAME: RMD4408001-PLAN-RD.DGN